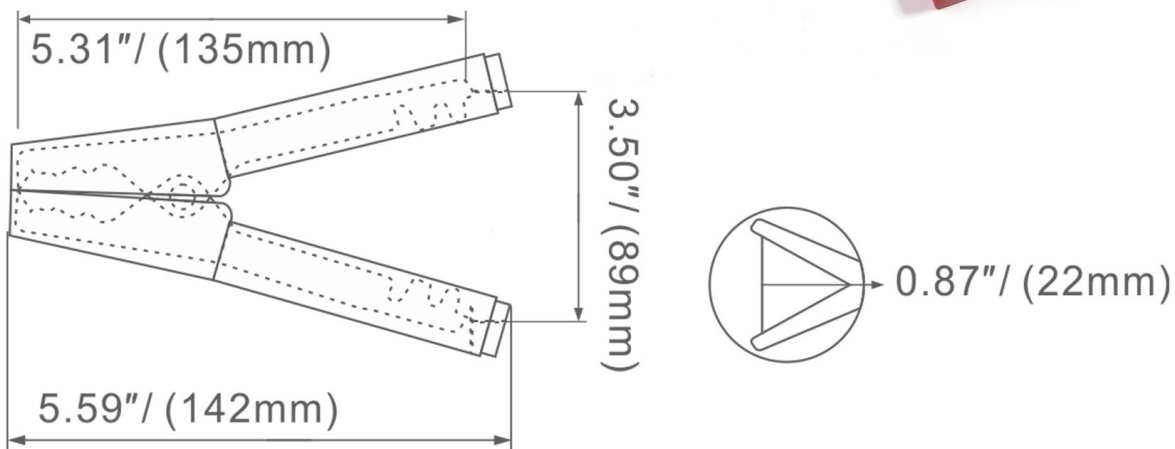


◆ 产品名称：优质鳄鱼夹300A

Product Name: Battery Clamp 300A

◆ 产品型号(Model): AT-0032

◆ 基本参数 (Dimensions):



◆ 典型特性(Typical Characteristic)

主体材质 Main material	铁 Steel	表面镀层 Surface treatment	镀铜 Copper Plated
绝缘体材质 Insulation material	塑料 PVC	额定电流 Rated current	300A

◆ 颜色选择(Color for choose)

Black, Red

* we here only list the regular color, please inform us if you have any requirement for different design or color.