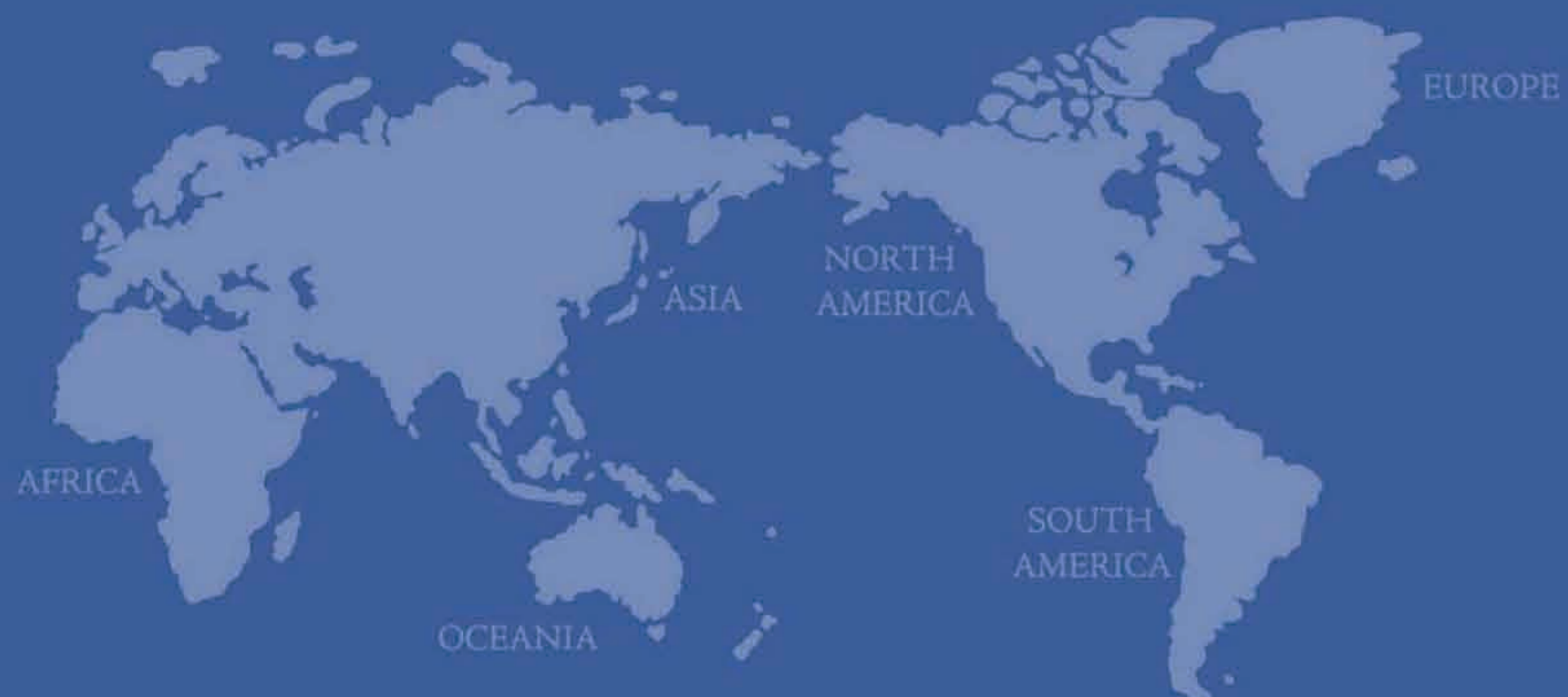


# Tripsolar

SOLAR MOUNTING EXPERT



**XIAMEN TRIP SOLAR TECHNOLOGY CO.,LTD**

ADD: Area A, No. 55, Pingcheng North Road, Haicang District, Xiamen, Fujian Province, China

TEL: 0086-592-6513687 FAX: 0086-592-6513695

E-MAIL: [tia@tripsolar.com](mailto:tia@tripsolar.com)

WEB: [www.tripsolar.com](http://www.tripsolar.com)

**XIAMEN TRIP SOLAR TECHNOLOGY CO.,LTD**

[www.tripsolar.com](http://www.tripsolar.com)

# PROJECT



# Page Of Content

Company Introduction	01
Caravan Solar Mounting Brackets	03
ABS Mounting Bracket	03
Long Bar Mounting Bracket	05
Aluminum Z Bracket	06
Roof Solar Mounting System	07
Glazed Tile Roof Solar Mounting System	07
Stainless Steel Roof Hook	08
Metal Roof L Feet Mounting System	09
Adjustable Tilt Mounting System	10
Ballasted Mounting System	11
Fold Tri-Bracket System	12
Shingle Asphalt Flashing Hook	13
Solar Mounting Components	14
Rail And Clamp	14
Grounding System	15
Cable Clip	16
Galvanized Steel Ground Mounting System	17
Solar Carport	18
Pole Mounting System	19
Single Solar Panel Pole Mounts	19
Multi Solar Panels Pole Mounts	20
Solar Water Pump	21
MC4 Solar Connectors	23
Notes	24



XIAMEN TRIP SOLAR TECHNOLOGY CO.,LTD

## Company Introduction

Since 2012, Xiamen Trip Solar Technology Co., Ltd is an experienced manufacturer and exporter of RV plastic solar mounting brackets, roof mounting system, solar carport system, ground mounting brackets and accessories with production plant in Xiamen, China.

Trip Solar members devote themselves to research, design, manufacture and sell the steady, trustable and cost-efficient solar PV mounting system solutions. As one of the PV solar products exporter in China, the pioneering Trip Solar products have been installed in more than 80 countries and regions since it established.

Trip Solar insists on "Professional and Innovation" on products research and development, provides effective guarantee to customers with "Professional", and create more value with "Innovation".

In the meantime, we are meticulous with the quality and delivery time. By cooperating with us, you will definitely feel both our professionalism, good quality and service.

In conclusion, Quality first, Best faith priority. Our competitive price will be offer as soon as received your requests.



Factory



Plant



Office

### Workshop



### Packaging



# ABS Mounting Bracket



Specification	
Applications	RV, Vehicles, Caravan, Motorhome, Boat, Flat surface etc
Material	100% ABS(plastic)
Color	Black & White & Customized
Certificate	SGS
Solar panel	Framed panel
Feature	<ol style="list-style-type: none"> <li>1. Quick Installation</li> <li>2. UV resistance</li> <li>3. Protect the corners of solar panels from damage</li> <li>4. Safety bonded to the surface removing the need to drill holes</li> </ol>



**SGS**

## Corner Mounts

## Side Mounts

## Cable Entry Gland



TP-ABS-001



TP-ABS-007



TP-ABS-005



TP-ABS-002



TP-ABS-008



TP-ABS-006

## Application



## Long Bar Mounting Bracket

### Description

The long bar brackets can be used with any aluminum framed solar panel to provide a secure fixing for vehicles, caravans, boats, outbuildings etc. The mounts will support the solar panel at the optimum height above the surface to enable aeration from underneath, ensuring the solar panel functions as efficiently as possible.

### Feature

- Quick Installation
- UV resistance
- Safety bonded to the surface removing the need to drill holes
- The length could be customized to your request
- White, black color or customized



TP-ABS-009



TP-ABS-010



Aluminum TP-AMB-01



Aluminum TP-AMB-02

## Aluminum Z Bracket

### Description

The aluminum Z mounting bracket is designed to support the installation of single solar panel units, generally in off-grid installations. These units are ideal for installation on RV roofs and non-inhabited dwellings such as sheds or garages. It is also suited as attachment to a user made structure such as a wooden frame.

### Feature

- Mounts panels to RVs, trailers, vehicles, boats, yachts or flat surface
- Pre-assembled with bolts and washers
- Aluminum corrosion-free construction
- Ideal for mounting small solar panels
- Perfect for irregular surfaces



TP-LKR01



TP-LKR02

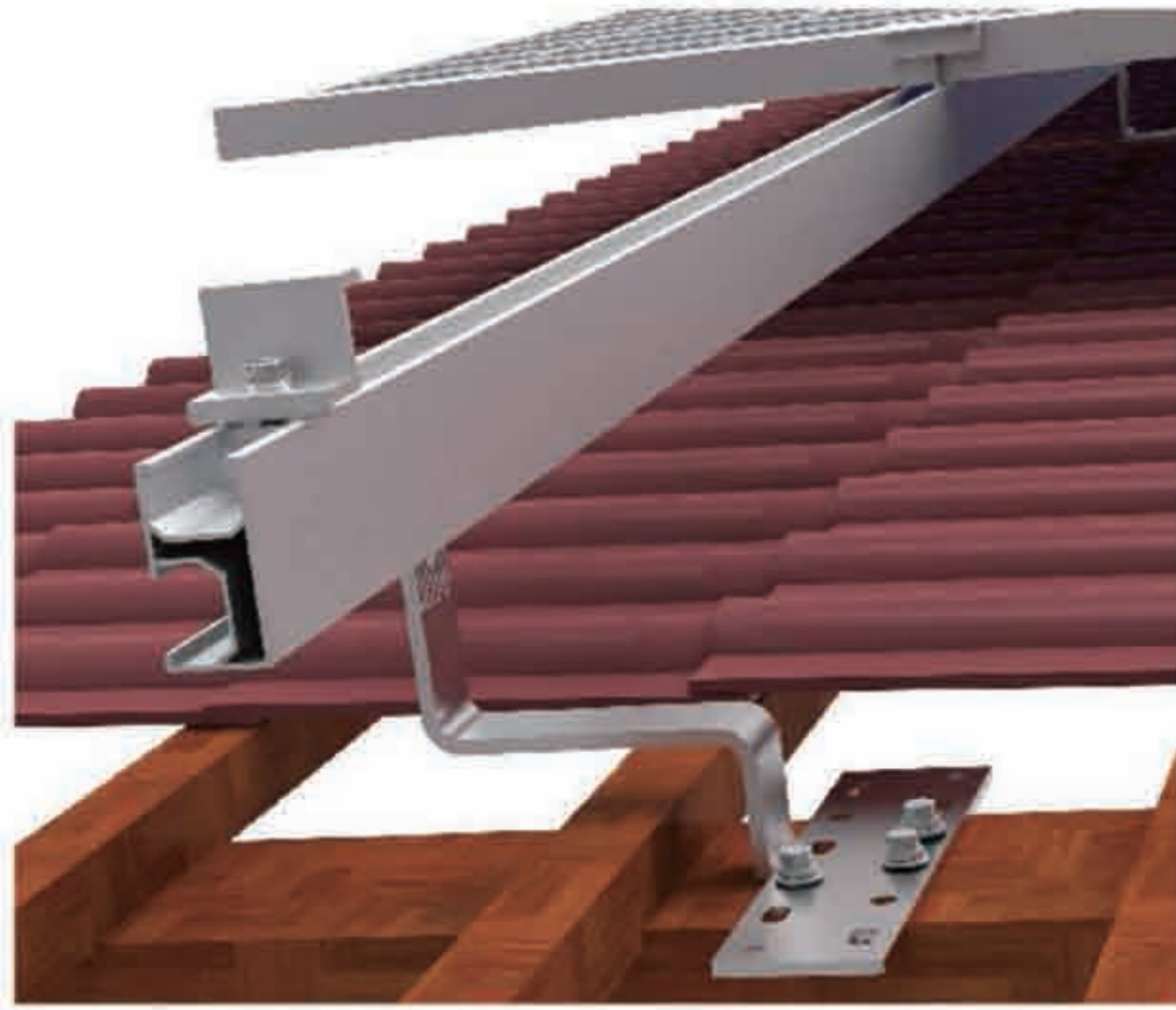


TP-LKR03



TP-LKR04

## Glazed Tile Roof Solar Mounting System



### Description

Glazed tile roof solar mounting system designs with great flexibility both for commercial and residential roof solar system. It is suitable for installing framed and frameless modules.

### Feature

- Easy to install
- Flexibility and Compatible
- Safety and Reliability
- Stand up to extreme weather

### Specification

Install Site	Pitched roof
Tile Angle	Flushed with roof, up to 60 deg
Max Wind Speed	up to 60m/s
Snow Load	up to 1.4kn/m2
Main Material	Aluminum Alloy& Stainless Steel
Anti-corrosive	Anodized
Standard	AS/NZS 1170
Color	Natural
Warranty	Ten years warranty
Duration	More than 20 years



### Component



Rail

Rail Connector

Mid Clamp

End Clamp

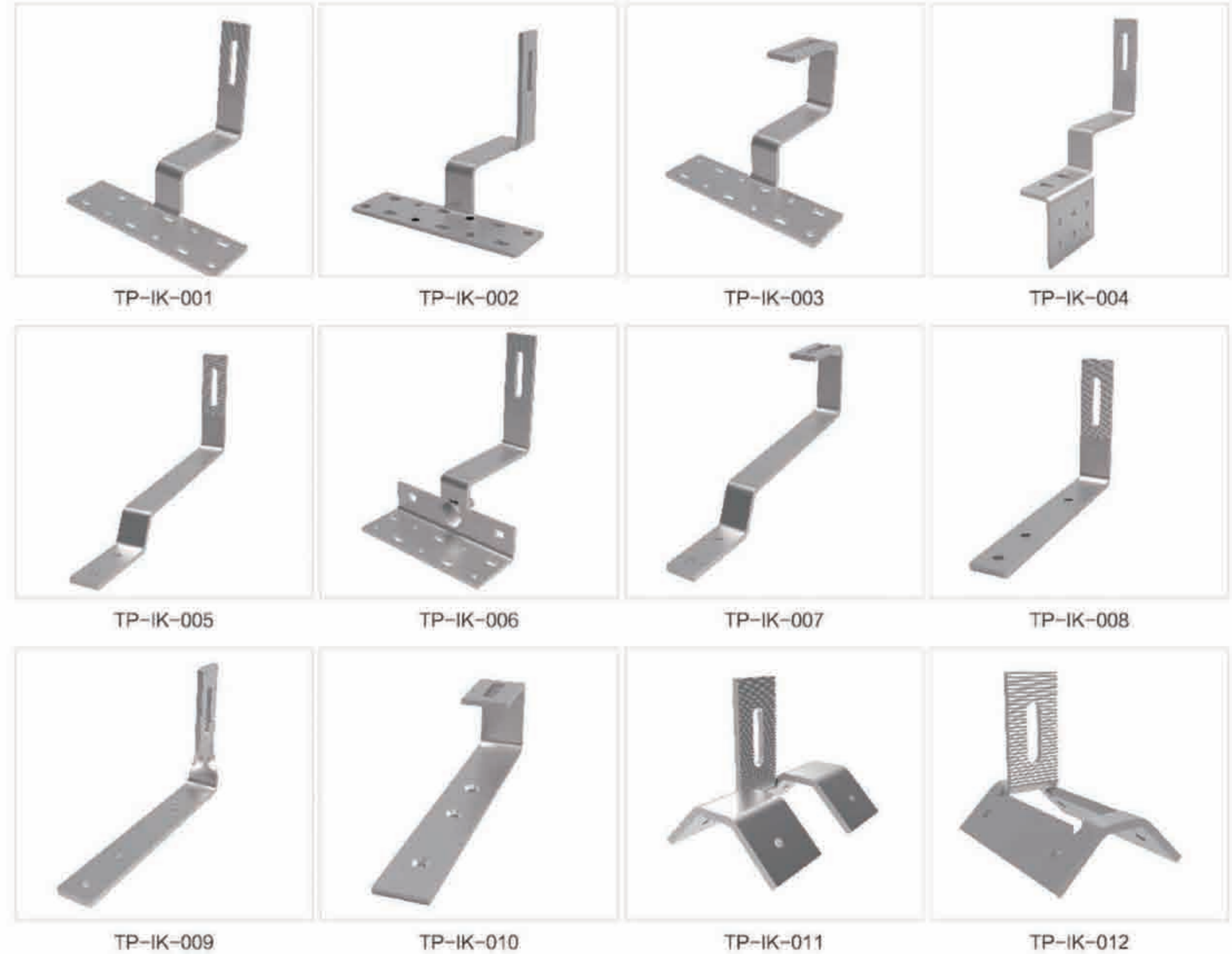
## Stainless Steel Roof Hook

### Description

Various roof hooks are suitable for various types of roofs.

### Feature

- Easy to install
- Flexibility and Compatible
- Safety and Reliability
- Stand up to extreme weather



TP-IK-001

TP-IK-002

TP-IK-003

TP-IK-004

TP-IK-005

TP-IK-006

TP-IK-007

TP-IK-008

TP-IK-009

TP-IK-010

TP-IK-011

TP-IK-012

## Metal Roof L Feet Mounting System



### Description

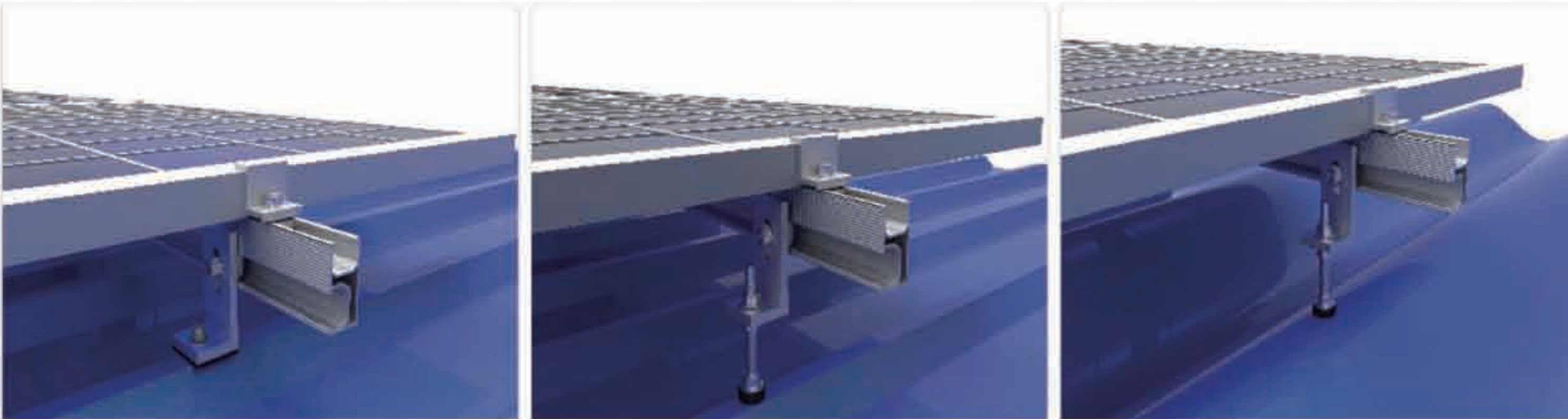
Tripsolar L Feet has been widely used on universal corrugated and trapezoid metal sheet roof. It can fix to the roof rafter directly. Also, it can be applied with hanger bolts and Tripsolar designed roof clamps.

Specification	
Installation Site	Trapezoid and corrugated Metal rooftop
Material	Anodized Aluminum AL6005-T5/SUS304
Applicable module	Framed or frameless solar panel
Module orientation	Landscape or portrait
Survival wind load	Up to 130mph(60m/s)
Survival snow load	Up to 30psf(1.4kn/m2)
Warranty	10 years warranty,25 years service life

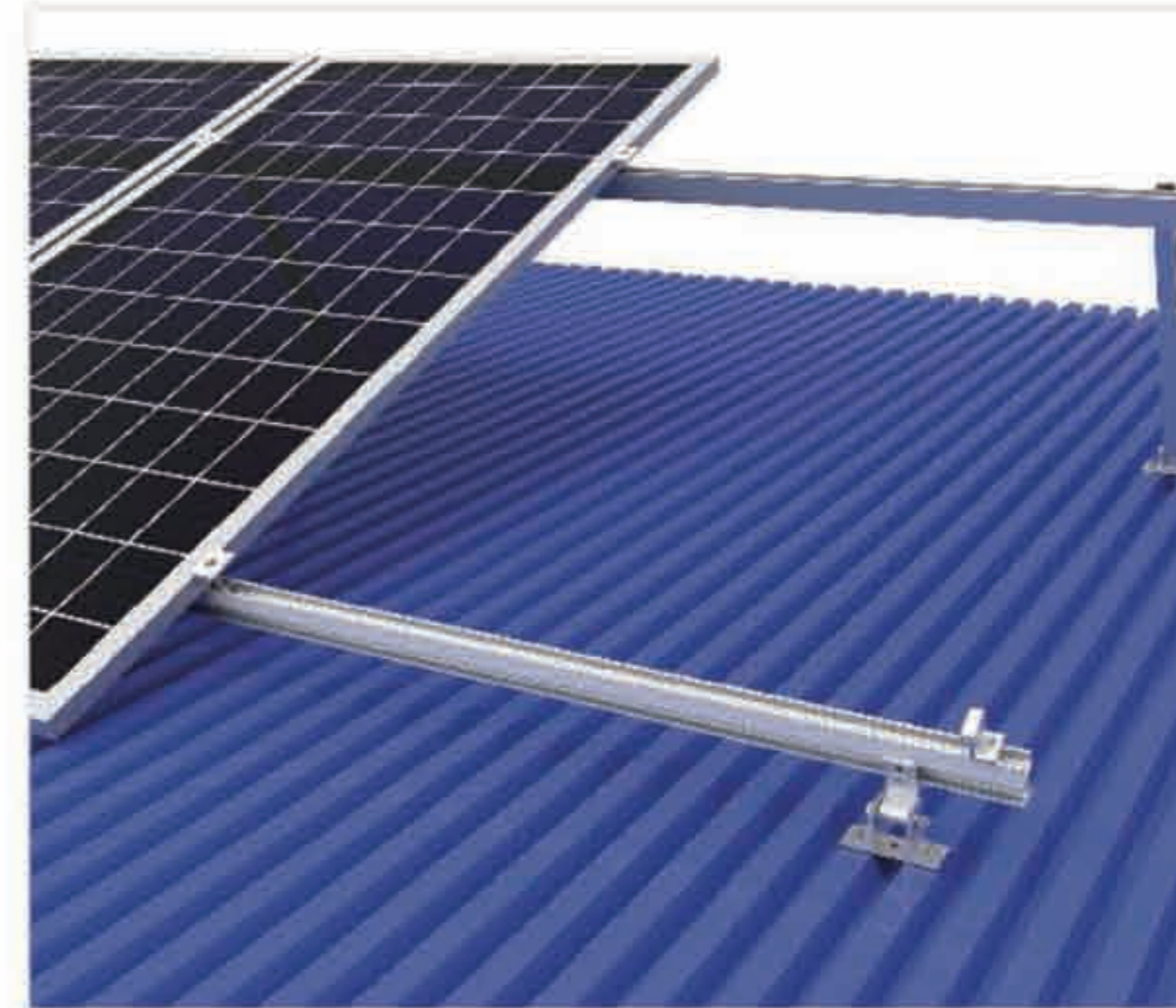
### Standard Trapezoid Roof



### Application



## Adjustable Tilt Mounting System



### Feature

- Enables simple, fast and cost-effective installation
- Al6005-T5, high class anodized aluminum
- Water-proof EPDM rubber pad
- Fasteners and rail nut fully configured to save extra parts purchasing



Specification	
Installation site	Metal/tin roof top
Material	Anodized Aluminum AL6005-T5
Fasteners material	Stainless steel
Applicable module	Framed or frameless solar panel
Module orientation	Landscape or vertical
Survival wind load	Up to 130mph(60m/s)
Survival snow load	Up to 30psf(1.4kn/m2)
Warranty	10 years warranty, 25 years service life



### Application



## Ballasted Mounting System



### Description

Ballasted mounting system is designed to help to install solar modules faster and easier. It has only two main components, a chassis and clamps. The smarter design makes the cost less than other top-quality, flat-roof racking systems.

### Feature

- Easy installation
- Flexible transportation
- Safety and adjustable
- 10 years warranty

### Component



Chassis

Mid Clamp

End Clamp



### Specification

Installation site	Flat roof top
Material	Anodized Aluminum Alloy/Stainless Steel
Applicable module	Framed
Panel width	800-1000mm
Tilt Angle	10° /15° /20° /25° /30°
Survival wind load	Up to 130mph(60m/s)
Survival snow load	Up to 30psf(1.4kn/m2)
Warranty	10 years

## Fold Tri-Bracket System



### Specification

Applicable Module	Framed or frameless solar panel
Material	Anodized Aluminum AL6005-T5/Stainless Steel
Tilt Angle	15,20,30 deg
Module Orientation	Landscape or vertical
Max Wind speed	Up to 130mph(60m/s)
Snow Load	Up to 30psf(1.4kn/m2)
Standard	AS/NZS1170



### Feature

- Enables simple,fast and easy installation
- Pre-assembled and folded ballast console



Tri-bracket

Rail

Mid Clamp

End Clamp

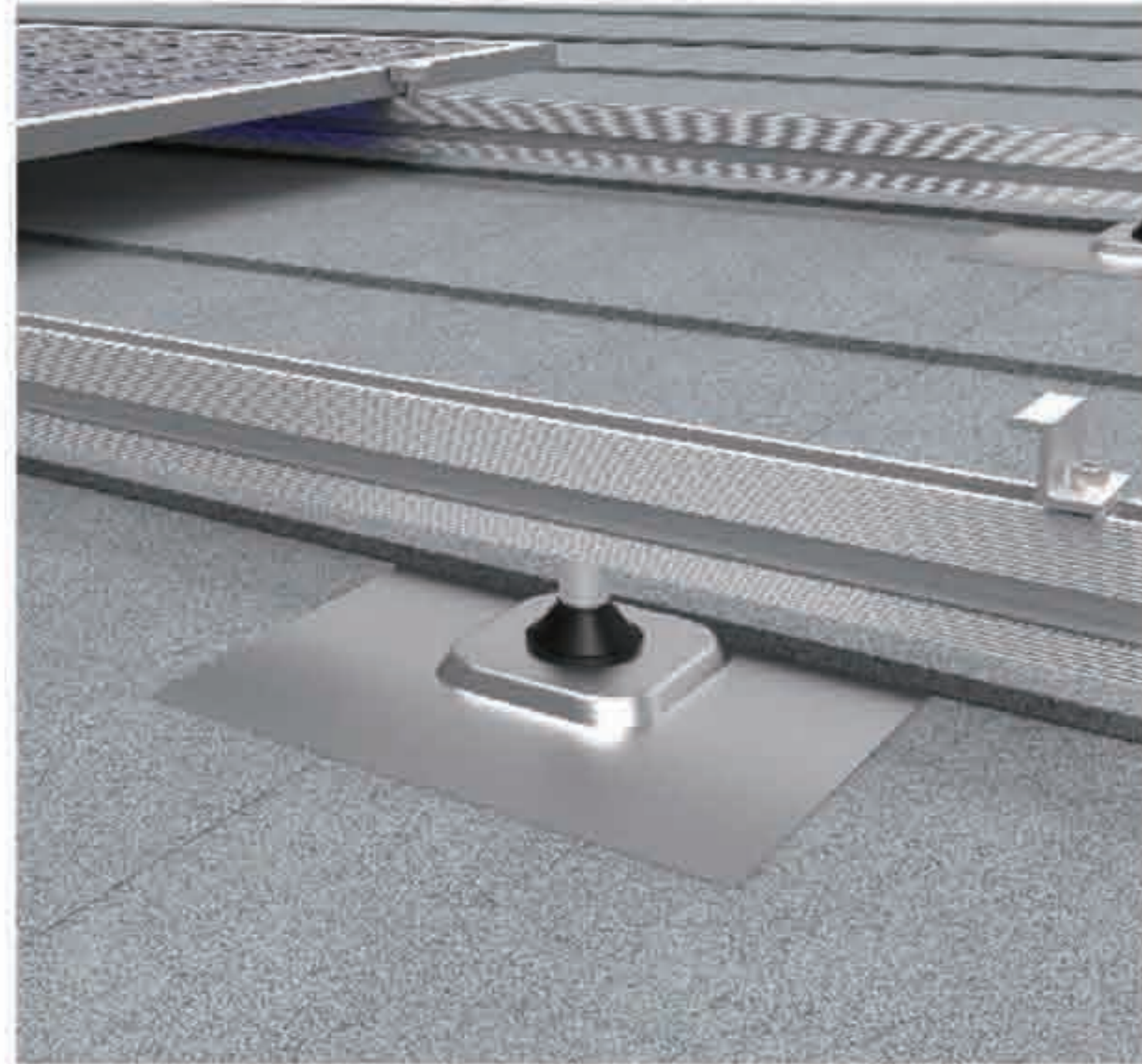


### Specification

Material	Anodized Aluminum AL6005-T5/Stainless Steel
Installation Site	Low profile roof or open field
Tilt Angle	10deg ~ 60deg
Dimension	Can be customized for solar panel
Solar Panel	Framed solar panel
Color	Natural
Warranty	10 years
Feature	Quick Installation
	Steady and Safety
	Excellent Duration
	Great Flexibility



## Shingle Asphalt Flashing Hook



### Description

All-in-one waterproof flashing and mount to anchor photovoltaic racking systems  
Fit with in most composition and wood shingle roof systems

### Accessories

- Flashing plate
- Aluminum base
- Stainless steel 304 bolt
- Wood screw



Specification	
Installation site	Asphalt shingle roof top
Material	Anodized Aluminum
Fasteners material	Stainless steel
Applicable module	Framed or frameless solar panel
Module orientation	Landscape or vertical
Max wind speed	Up to 130mph(60m/s)
Snow load	Up to 30psf(1.4kn/m2)
Warranty	10 years

### Component



Flashing Hook

Rail

Rail Connector

Mid Clamp

End Clamp

## Rail And Clamp

### Feature

- Easy to install
- Flexibility and Compatible
- Safety and Reliability



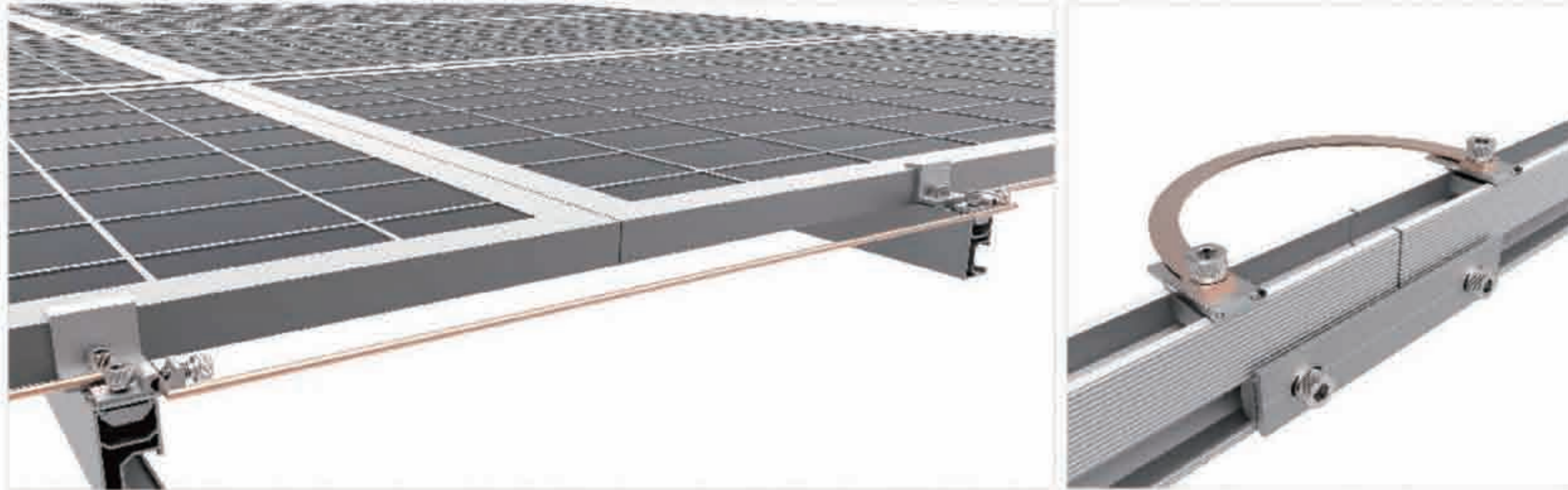
### Anodized aluminum AL6005-T5, Anti-corrosive



### Galvanized Steel SUS304



## Grounding system



### Description

Grounding system is designed to create an electrical path to ground by just bonding earthing clip between PV module and rail, it eliminates the need to run ground wire to each individual module and reduce the amount of labor and materials used in installations.

### Component



Bonding Jumper

Grounding Lug

Grounding Clip

Grounding Clip

## Grounding clip

### Description

Grounding clip designed stainless steel teeth that pierce into anodized aluminum, providing a gas tight connection which prevents oxidation

### Feature

- Material: Steel SUS304
- Cooperated with Inter Clamp to install under the Rail
- Could be customized according to your request



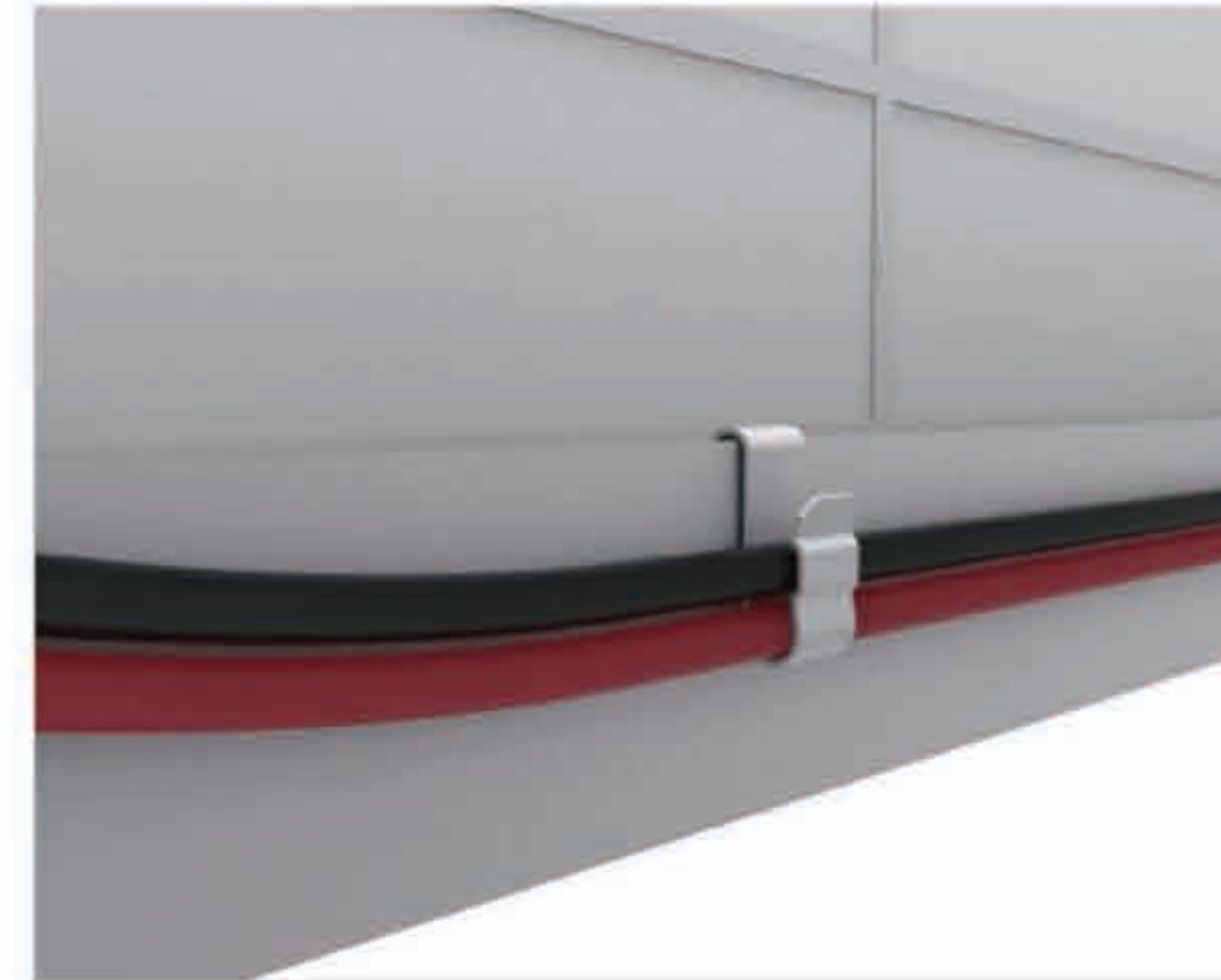
TP-GC-1

TP-GC-2

TP-GC-3

TP-GC-4

## Cable Clip



### Description

Solar cable clips are easy to install and fits onto a wide range of module frames. Clips can be installed perpendicular on the module frame/rail edge

### Specification

Main Material	stainless steel SUS304/Manganese
Application	Dual or four solar cables
Warranty	Ten years warranty
Feature	1. Recyclable
	2. Prevent the clips fall off module frame
	3. Easy installation & removal without any tool

### Related Products



TP-CC-01

TP-CC-02

TP-CC-03

TP-CC-04

## Solar Cable Tie

### Feature

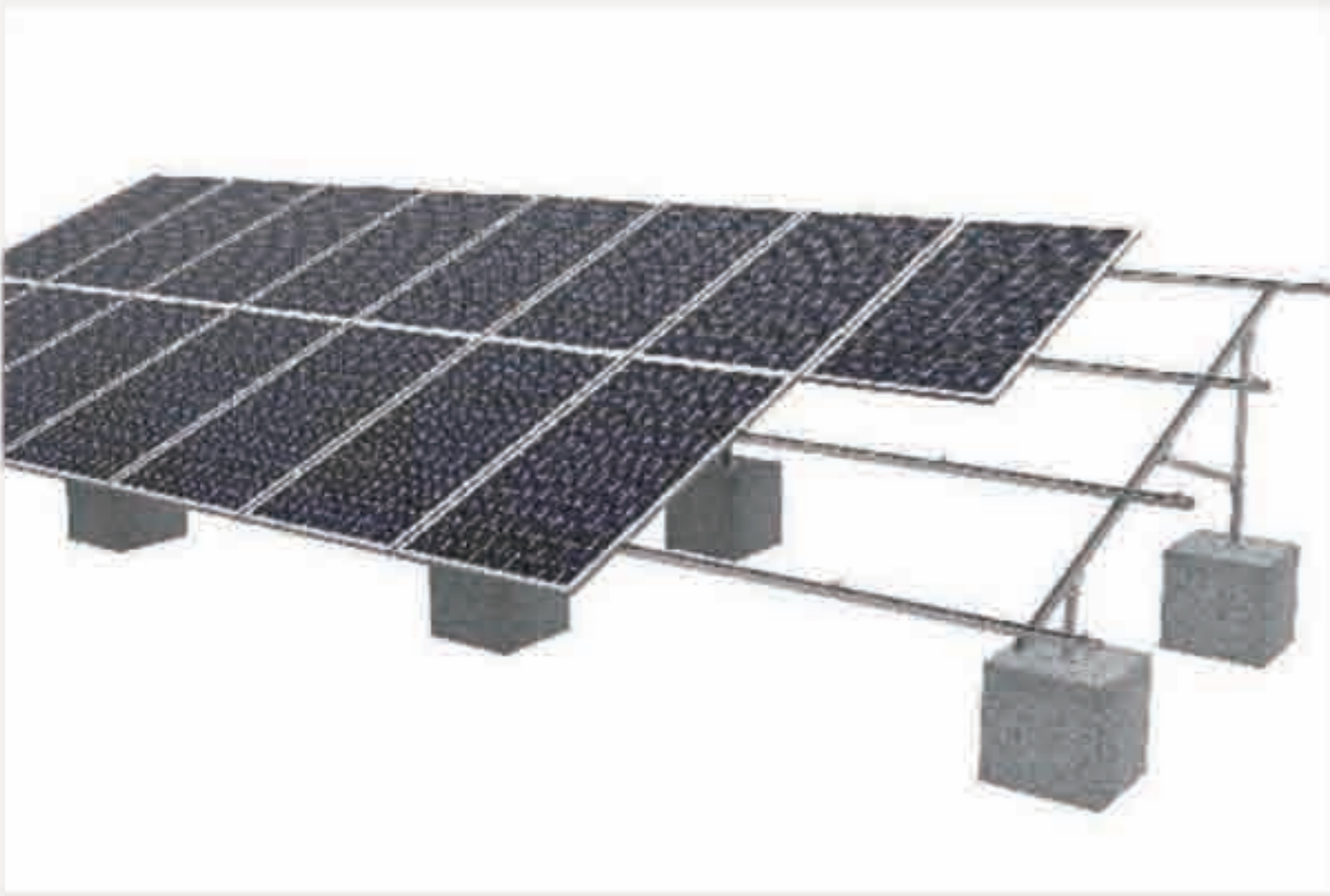
- Stainless steel SUS304
- High tensile strength
- Easy-quick operation
- Length could be customized
- Non-flammability



Item	Width(mm)	Length(mm)	Package(pcs/bag)
TP-CT-01	4.6	150	100
TP-CT-02	4.6	200	100
TP-CT-03	4.6	250	100
TP-CT-04	4.6	300	100
TP-CT-05	4.6	350	100
TP-CT-06	4.6	520	100



## Galvanized Steel Ground Mounting System



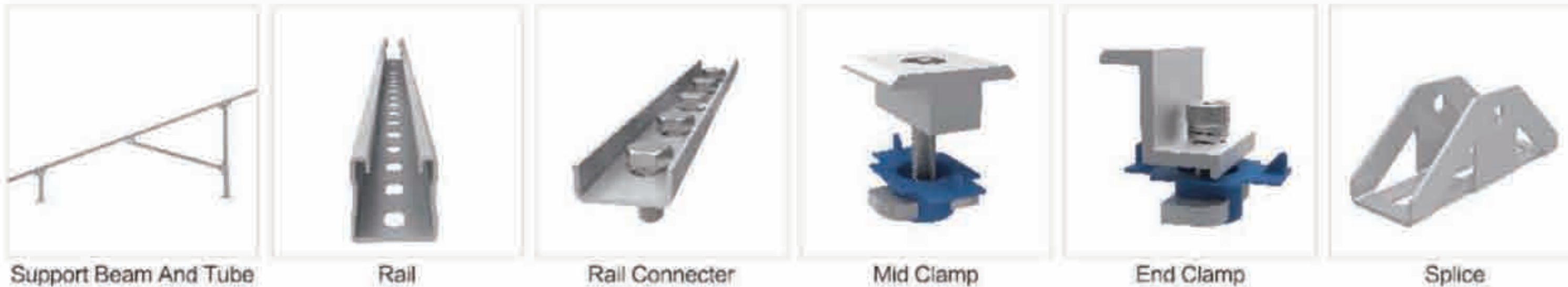
Specification	
Install Site	Open field
Tile Angle	0-45 deg or customized degree
Max Wind Speed	Up to 60m/s
Snow Load	Up to 1.4kn/m2
Main Material	Q235
Anti-corrosive	Hot-dip galvanized
Color	Natural
Warranty	Ten years warranty
Duration	More than 30 years

### Feature

- High Pre-Assembly
- Flexibility and Compatible
- Safety and Reliability
- Installed with concrete or ground screw foundation



### Component



Support Beam And Tube    Rail    Rail Connector    Mid Clamp    End Clamp    Splice

## Solar Carport



### Component



Beam    Pole    Joint

Specification	
Install Site	Open Field
Tilt Angle	0-15deg
Max Wind Speed	Up to 60m/s
Snow Load	Up to 1.4KN/m <sup>2</sup>
Main Material	Aluminum alloy & Galvanized Steel
Anti-corrosive	Anodized & Galvanized
Warranty	Ten years warranty



## Single Solar Panel Pole Mounts

### Description

Pole Mount System is designed to install one solar panel on a single pole.

### Specification

Install Site	Open Field
Tilt Angle	10deg-60deg
Max Wind Speed	Up to 60m/s
Max Snow Load	Up to 1.4KN/m <sup>2</sup>
Material	Anodized Aluminum&Stainless Steel
Warranty	10 Years Warranty



## Pole Mounts 2#

### Description

It is designed to install two solar panels on a single pole. The small on-grid or off-grid power station can be arranged in garden, on mountain, or beside the outdoor electrical house.

### Feature

- Easy installation
- Steady and safety
- Excellence duration
- Great flexibility



## Multi Solar Panels Pole Mounts



### Feature

- Material: Hot galvanized steel Q235
- High integrated to reduce the bolt
- Foundation: concrete with pre-buried bolt



### Application

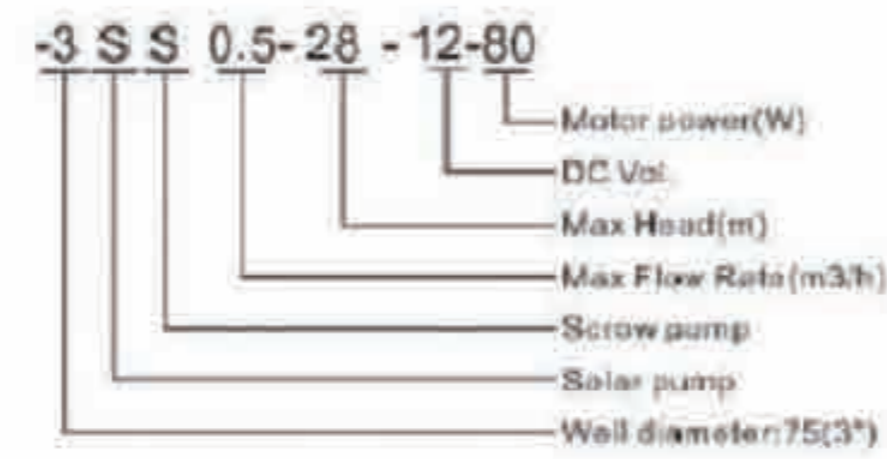
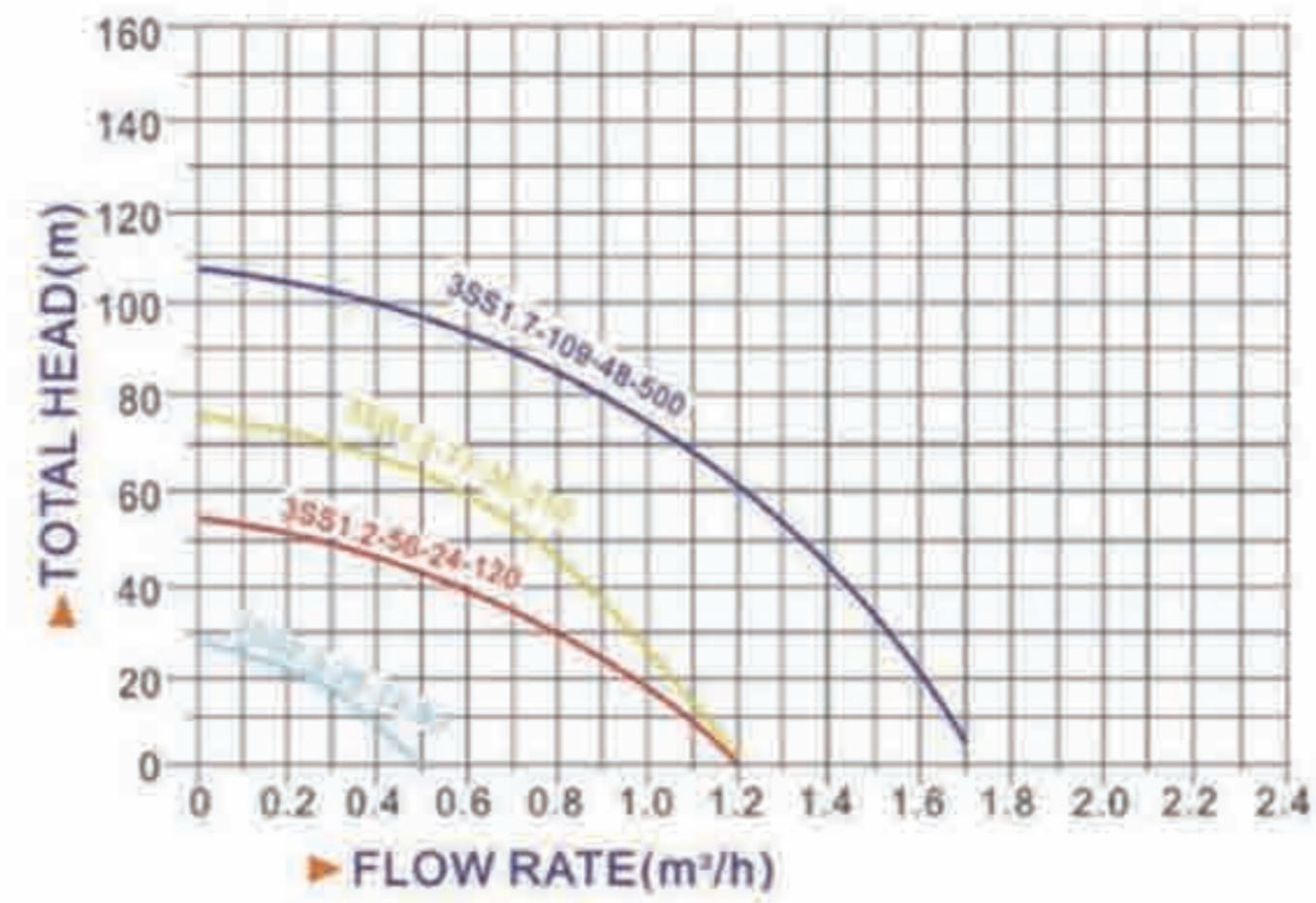


Pole Mount 4#

Pole Mount 6#

Pole Mount 8#

## Solar Water Pump



### Accessories



### Application

Solar pumps series are workable within maximum head. With the addition of high head, high efficiency and wide high efficiency zone, they are suitable for distance water irrigation, high efficiency of increasing oxygen on aquaculture, pumping water from deep well, gardening, fountain etc.

### Working Condition

Solar pumps series are workable within maximum head. With the addition of high head, high efficiency and wide high efficiency zone, they are suitable for distance water irrigation, high efficiency of increasing oxygen on aquaculture, pumping water from deep well, gardening, fountain etc.

### Specification

Item	Voltage	Power	Outlet	Max Flow	Max Head	Cable	Solar Panel
TP-3SS0.5-28-12-80	12V	80W	0.75"	0.5m³/h	28m	2m	≥150W
TP-3SS1.2-56-24-120	24V	120W	0.75"	1.2m³/h	56m	2m	≥250W
TP-3SS1.2-77-36-210	36V	210W	0.75"	1.2m³/h	77m	2m	≥300W
TP-3SS1.7-109-48-500	48V	500W	0.75"	1.7m³/h	109m	2m	≥600W

### Application



