

# FPV-63

CCC CE CB SAM TUV RoHS

## Solar DC Mini Circuit Breaker (DC MCB)



**FEED**  
ELECTRIC

## FPV-63

### Solar DC Mini Circuit Breaker (DC MCB)



#### Application

FPV-63 DC MCB supplementary protectors are designed to provide overcurrent protection within appliances or electrical equipment, where a branch circuit protection is already provided or not required. Devices are designed for direct current (DC) control circuit applications.

#### Specifications

FPV-63 Series Circuit Breaker		FPV-63
Frame Degree Rated Current (A)		63
Pole		1P, 2P, 3P, 4P
Rated Operating Voltage (V DC)		DC12V -DC1200V
Rated Current In (A)		1-63A
Rated Insulation Voltage Ui (V DC)		1200VDC
Rated Impact Voltage Uimp (kV)		4
Ultimate Breaking Capacity Icu (kA)		6
Run Breaking Capacity Ics (%Icu)		75%
Curve Type		C
Trip Type		Thermal-magnetic
Mechanical	Actual average value	20000
	Standard value	8500
Electric	Actual average value	2500
	Standard value	1500

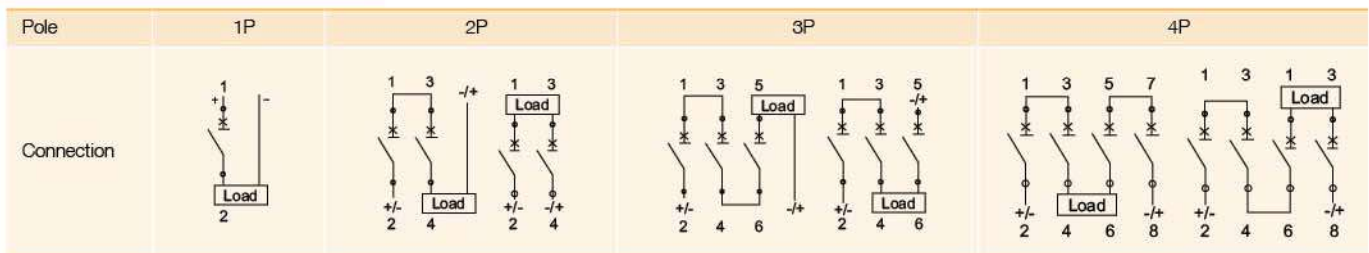
#### Control and Indication

Shunt release (SHT)	
Undervoltage release (UNT)	Option
Auxiliary contact (AX)	
Alarm contact (AL)	

#### Condition and Installation

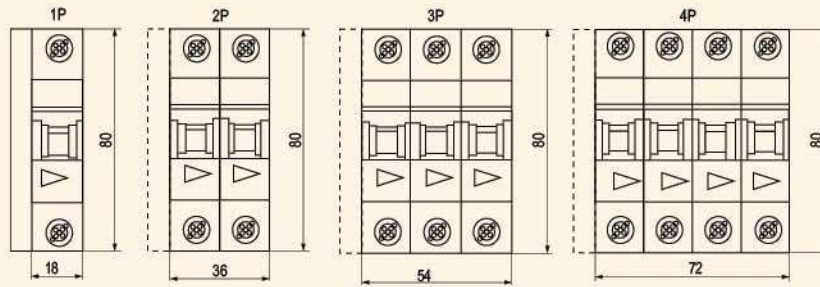
Wiring capacity (mm <sup>2</sup> )	In ≤ 32A, 1~25 mm <sup>2</sup> , I ≥ 40A, 10~35mm <sup>2</sup>				
Ambient temperature (°C)	-20~+70				
Altitude	≤ 2000				
Relative humidity	≤ 95%				
Pollution Level	3				
Installation Environment	No obvious shock and vibration				
Installation category	Class III				
Installation	DIN Standard rail				
Dimensions(W)x(H)x(Deep)	W	18	36	54	72
	H	80	80	80	80
	Deep	71	71	71	71
Weight (kg)	0.12	0.24	0.36	0.48	

#### Connection

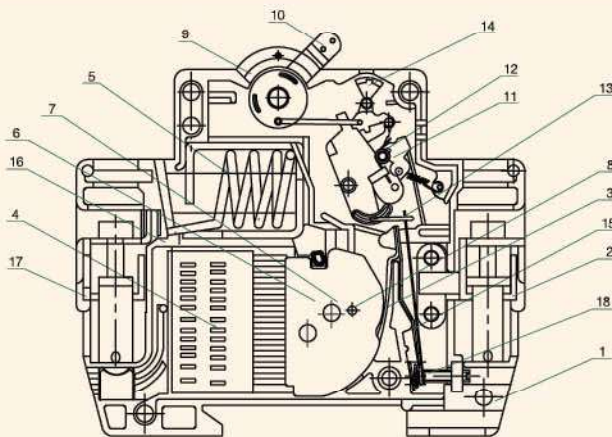


# SOLAR DC MINI CIRCUIT BREAKER (DC MCB)

## Dimension



## Details



- |                     |                        |
|---------------------|------------------------|
| 1. Shell            | 10. Handle             |
| 2. Wiring board     | 11. Lock catch knuckle |
| 3. Static contact   | 12. Tripping chain     |
| 4. Arc chamber      | 13. Jump pin           |
| 5. Copper coil      | 14. Indicator          |
| 6. Insulation plate | 15. Bimetal            |
| 7. Moving contact   | 16. Soft linking       |
| 8. Fixed contact    | 17. Wiring board       |
| 9. Spring           | 18. Adjusting screw    |

## Characteristic Curve

FPV-63 Characteristic curve

