

太阳能 (PV) 发电保护用：熔断器  
Solar (PV) power protection: fuses

**C E R T I F I C A T E**  
of Conformity  
Low Voltage Directive 2006/95/EC

Registration No.: AN 50233450 0001  
Report No.: 15053910 001

Holder: **ZHEJIANG GALAXY FUSE CO., LTD.**  
Liushi Changchun Industrial Zone,  
Wenzhou, Zhejiang 325604  
P.R. China

Product: Fuse Link  
(Low-voltage Fuse for PV System)

Identification: Type Designation: YRPV-400(D)  
Serial No : Engineering sample  
Remark: Issued in conjunction with TÜV Rheinland license  
R 50233449 0001

This certificate of conformity is based on an evaluation of a sample of the above mentioned product. Technical Report and documentation are at the Licence Holder's disposal. This is to certify that the tested sample is in conformity with all revision of Annex I of Council Directive 2006/95/EC, in its latest amended version, referred to as the Low Voltage Directive. This certificate does not imply assessment of the series-production of the product and does not permit the use of a TÜV Rheinland mark of conformity. The holder of the certificate is authorized to use this certificate in connection with the EC declaration of conformity according to Annex III of the Directive.

Certification Body

Dipl.-Ing. (FH) F. He

Date 05.09.2012

**TÜV Rheinland LGA Products GmbH - Tillystraße 2 - 90431 Nürnberg**

The CE marking may be used if all relevant and effective EC Directives are complied with.

**Zertifikat Certificate**

Zertifikat Nr. Certificate No R 50233449 Blatt Page 0001

Ihr Zeichen Client Reference X.X.Z. Unser Zeichen Our Reference 01-KSH- 15053910 001 Ausstellungsdatum Date of Issue 05.09.2012

Genehmigungsinhaber License Holder ZHEJIANG GALAXY FUSE CO., LTD. Liushi Changchun Industrial Zone, Wenzhou, Zhejiang 325604 P.R. China  
Fertigungsstätte Manufacturing Plant ZHEJIANG GALAXY FUSE CO., LTD. Liushi Changchun Industrial Zone, Wenzhou, Zhejiang 325604 P.R. China

Prüfzeichen Test Mark Geprüft nach Tested acc. to EN 60269-1:2007+A1 EN 60269-6:2011

Zertifiziertes Produkt (Geräteidentifikation) Certified Product (Product Identification) **Sicherungseinsatz (Low-voltage Fuse for PV System)** Lizenzgebühr - Einheit License Fee - Unit

Fuse-link Type Designation : YRPV-400(D) 5  
Rated Voltage : DC 1000V  
Rated Current : 125A;160A;200A;250A;315A;350A and 400A  
Rated Breaking Capacity: 30kA  
Breaking Range : gPV  
Rated Power Dissipation: no more than 50W at 0,7In  
no more than 65W at In  
Size : 2XL  
Arc Voltage Limits : 3500V  
Trade Mark : YINRONG

The labelling requirements acc to EU Directive 2001/95 have to be observed for distribution within the EEA

ANLAGE (Appendix) : 1

Dem Zertifikat liegen unsere Prüf- und Zertifizierungsprotokolle zugrunde und es bestätigt die Konformität des Produktes mit den oben genannten Standards und Prüfverfahren. Zusätzliche Anforderungen betreffen werden. Die Herstellung des zertifizierten Produktes wird überwacht.  
This certificate is based on our Testing and Certification Regulation and states the conformity of the product with the standards and testing requirements as indicated above, any additional requirements in countries where the product is going to be marketed have to be considered additionally. The manufacturing of the certified product is subject to surveillance.

Zertifizierungsstelle  
Dipl.-Ing. (FH) F. He

**TÜV Rheinland LGA Products GmbH - Tillystraße 2 - 90431 Nürnberg**  
Tel. (+49)2118 06 12 31 E-mail: cert-valding@tuev.com  
Fax: (+49)2118 06 39 35 http://www.tuv.com/en/ef

604099 FUSES FOR PHOTOVOLTAIC SYSTEMS (UL Product IQ)

**UL Product IQ™**

JFGA.E470106 - FUSES FOR PHOTOVOLTAIC SYSTEMS

Fuses for Photovoltaic Systems

See General Information for Fuses for Photovoltaic Systems

ZHEJIANG GALAXY FUSE CO., LTD. F470106  
Changchun Industrial Zone  
Liushi  
Wenzhou, Zhejiang 325604 CHINA

Cat. No.	Interrupting Capacity		Rating		
	DC	AC	Amps	Volts	Amps
YRPV-30	1000	—	40 K	1000	3-20
YRPV-30S Ø10X38	1500	—	20 K	1500	2-30
YRPV-30L Ø10X85	1500	—	20 K	1500	2-30
YRPV-32 Ø14X65	1500	—	30 K	1500	2-32
YRPV-400D	1500	—	50 K	1500	225-355

Last Updated on 2017-02-21

Questions? [Print this page](#) [Terms of Use](#) [Page Top](#)  2017 UL LLC

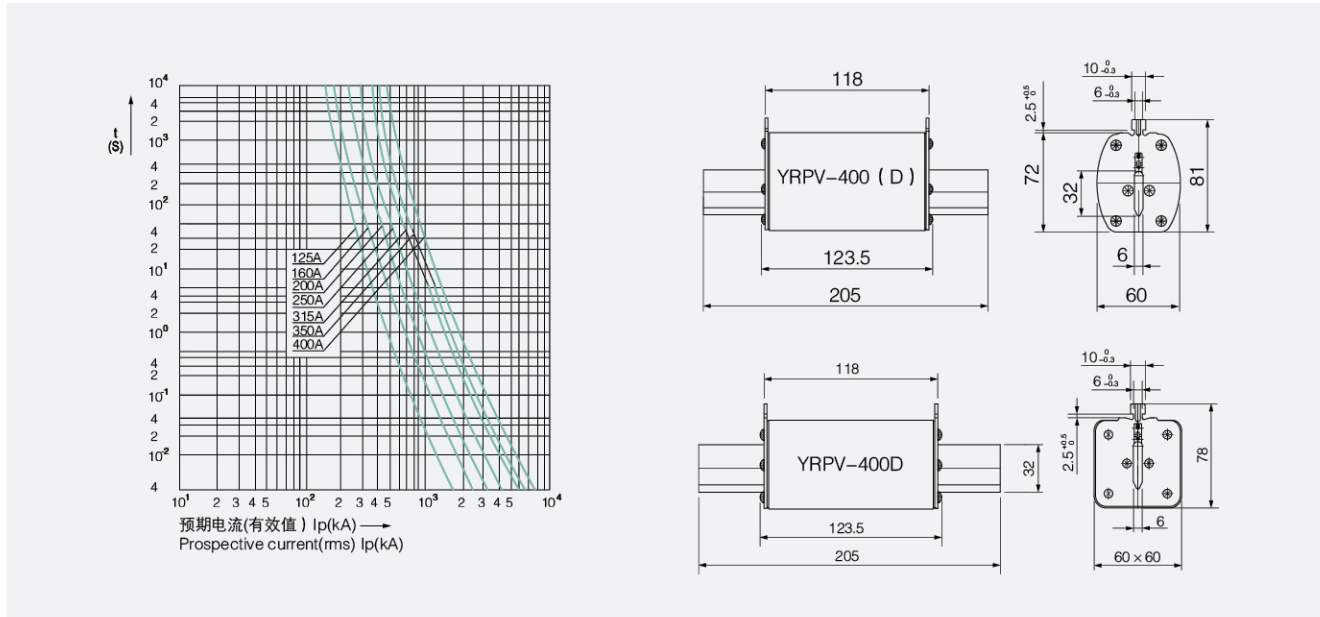
The appearance of a company's name or product in this database does not in itself assure that products so identified have been manufactured under UL's Follow-Up Service. Only those products bearing the UL Mark should be considered to be Certified and covered under UL's Follow-Up Service. Always look for the Mark on the product.

UL permits the reproduction of the material contained in the Online Certification Directory subject to the following conditions: 1. The Guide Information, Assemblies, Constructions, Designs, Systems, and/or Certifications (files) must be presented in their entirety and in a non-misleading manner, without any manipulation of the data (for drawings). 2. The statement "Reprinted from the Online Certifications Directory with permission from UL" must appear adjacent to the extracted material. In addition, the reprinted material must include a copyright notice in the following format: © 2017 UL LLC.



**太阳能 (PV) 发电保护用：熔断器**  
Solar (PV) power protection: fuses

序号 No.	型号 / 尺码 Model / Size	额定电压 (V) Rated Voltage	分断能力 (kA) Rated breaking capacity	额定电流 (In/A) Rated current
021	YRPV-400D、YRPV-400 (D)	DC: 1000/1500	 50 /  30 	200、250、315、350、400



序号 No.	型号 / 尺码 Model / Size	额定电压 (V) Rated Voltage	额定电流 (A) Rated current	可配备熔断体的型号 / 尺码 Fuse block available: model/size
022	YRPV-400D/401	DC: 1000/1500	400	YRPV-400D、YRPV-400 (D)
023	YRPV-630D/601	DC: 1000/1500	630	YRPV-630D

