

PRODUCT DATASHEET LY1-C40 DC Surge protective device

Application

This DC surge protective device is applied low voltage standard IEC/EN 61643-11 to protect against DC power line system and other equipment from over voltage and instantaneous over voltage damage. Widely used in photovoltaic combi box, power inverter, DC distribution cabinet etc. It has advantages of large discharge current, fast response time, low residual voltage. Max. PV voltage up to UCPV $\leq 500V$ dc.

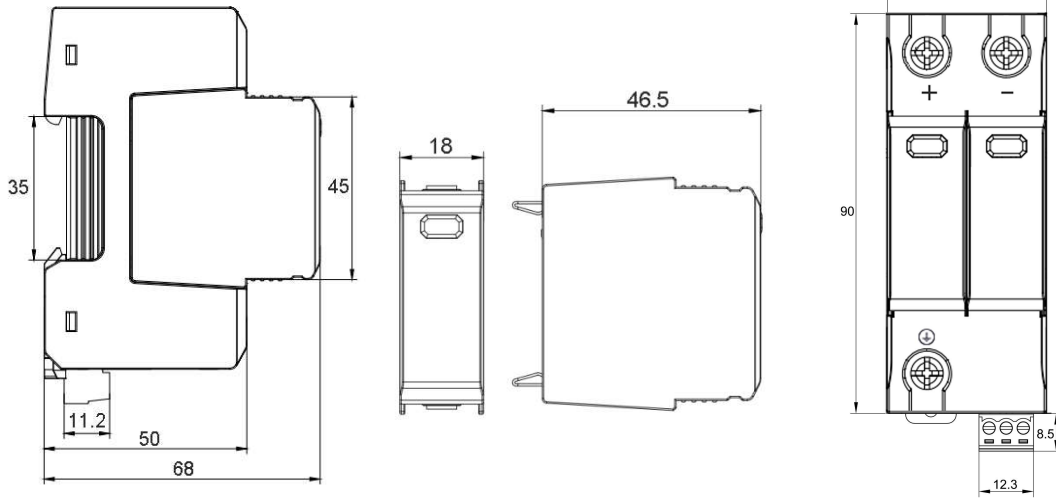
Main features

1. High discharge capacity, quick response, module pluggable.
2. Fast response time, din rail installation.
3. Double thermal disconnection devices, provide more reliable protection.
4. Green window means normal, red means defect, need to change module.
5. Remote alarm terminal optional.
6. T2 surge protection.

Technical parameter

Model	LY1-C40
Test standard	IEC/EN 61643-11;GB18802.11
SPD type	T2/Class II
Max. PV voltage [U _c pv]	500V DC
Nominal discharge current (8/20 μ s)	20kA
Maximum discharge current(8/20 μ s)	40kA
Poles	2P
Voltage protection level Up pv	1.8kV
Response time Ta	25ns
Connection wire specification	4mm ² (L/N); 6mm ² (PE)
Mounting	35mm Din Rail
Matched fuse or circuit breaker	32A
Type of remote signaling contact (Optional)	C+NC: Normally closed C+NO: Normally open C: Common contact
Max. Voltage/Current for remote signaling	1A/2A/3A 125V AC
Wiring for remote signaling	1.5mm ² max.
Operating temperature	-40°C to +80°C
Shell material	UL94-V0 fireproof material
Certificates	CE RoHS ISO9001:2015

Dimension details unit: mm(Remote terminal optional)



Installation Diagram

