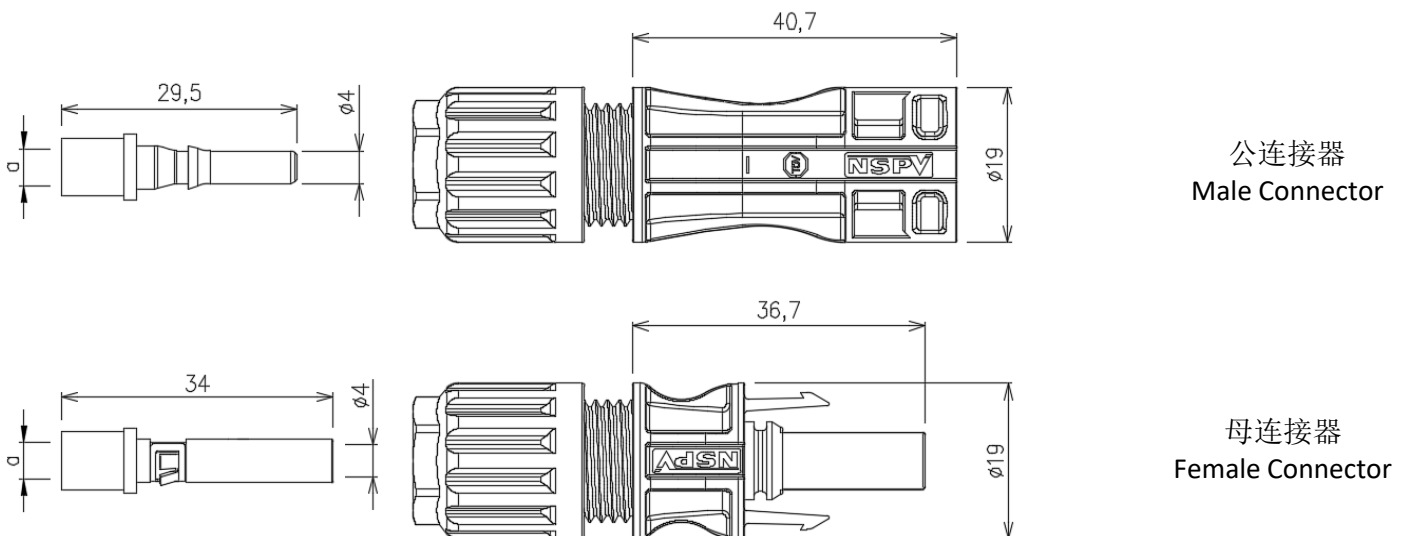


光伏4.0线端1500VDC连接器

PV 4.0 1500VDC Cable Connector

产品规格 Product Specifications			
绝缘材料 Insulation material	PPE	安全等级 Safety degree	II
额定电流 Rated current	65A	阻燃等级 Flame class	UL94-V0
额定电压 Rated voltage	1500VDC	插入力/拔出力 Insertion force/Withdrawal force	≤50N / ≥50N
测试电压 Test voltage	8kV(50Hz,1min)	环境温度范围 Ambient temperature range	-40°C...+90°C(IEC)
连接器接触电阻 Typical contact resistance	<0.5 mΩ	适配电线规格 Suitable cable cross sections	10sqmm/8AWG
金属导体材料 Contact material	铜,镀锡 Copper,Tin plated	连接方式 Connecting system	压接 Crimp connection
保护等级 Degree of protection	IP2X/IP68	螺帽锁紧力 Nut cap locking force	0.8-1.0Nm
过压等级 Overvoltage category/Pollution degree	CATIII/2	温度上限 Upper limiting temperature	110°C(IEC)
Range of cable gland(mm)	8.5mm		

图示:
Drawing:



4.0线端母连接器 4.0 Cable Female Connector			4.0线端公连接器 4.0 Cable Male Connector		
料号 Part No.	a	适配电线规格 Cable Size	料号 Part No.	a	适配电线规格 Cable Size
4CP10	4.5	10mm ² / 8AWG	4CN10	4.5	10mm ² / 8AWG