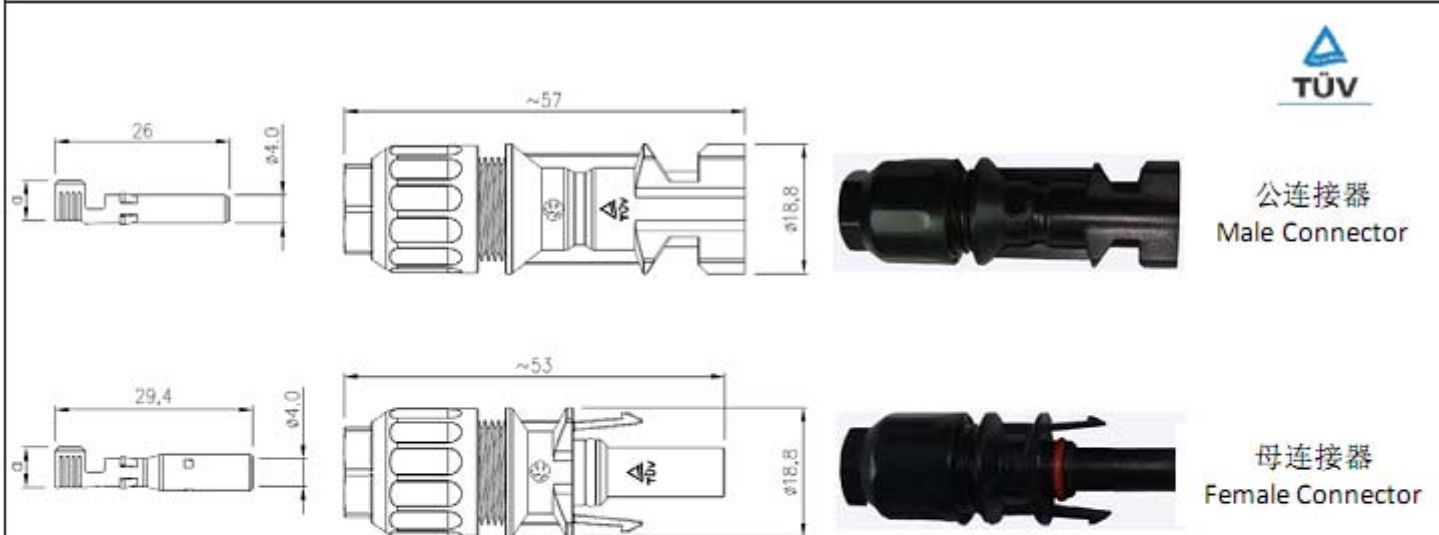


## 光伏4.0线端连接器 PV 4.0 Cable Connector

产品规格 Product Specifications			
绝缘材料 Insulation material	PPE	安全等级 Safety degree	II
额定电流 Rated current	30A	阻燃等级 Flame class	UL94-V0
额定电压 Rated voltage	1000V (IEC)/600V (UL)	插入力/拔出力 Insertion force/Withdrawal force	≤50N / ≥50N
测试电压 Test voltage	6kV(50Hz,1min)	环境温度范围 Ambient temperature range	-40°C...+90°C(IEC)
连接器接触电阻 Typical contact resistance	<0.5 mΩ	适配电线规格 Suitable cable cross sections	1.5~6mm <sup>2</sup> /16~10AWG
金属导体材料 Contact material	铜, 镀锡 Copper, Tin plated	连接方式 Connecting system	压接 Crimp connection
保护等级 Degree of protection	IP2X/IP67	螺帽锁紧力 Nut cap locking force	2.0~2.5Nm
过压等级 Overvoltage category/Pollution degree	CATIII/2	温度上限 Upper limiting temperature	110°C(IEC)

### 图示: Drawing:



4.0线端母连接器 4.0 Cable Female Connector			4.0线端公连接器 4.0 Cable Male Connector		
料号 Part No.	a	适配电线规格 Cable Size	料号 Part No.	a	适配电线规格 Cable Size
4C2500-001	4.2	1.5/2.5mm <sup>2</sup> / 16/14AWG	4C2501-001	4.2	1.5/2.5mm <sup>2</sup> / 16/14AWG
4C4000-001	5.8	4.0/6.0mm <sup>2</sup> & 10/12AWG	4C4001-001	5.8	4.0/6.0mm <sup>2</sup> & 10/12AWG