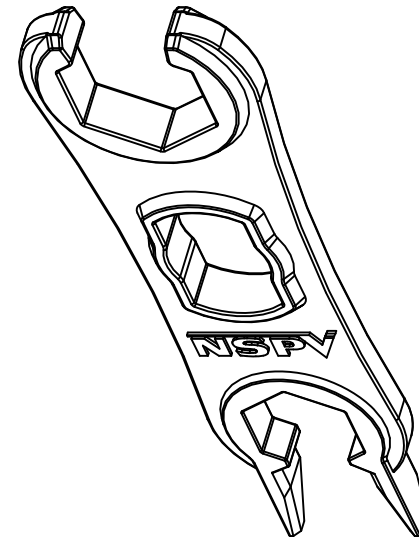
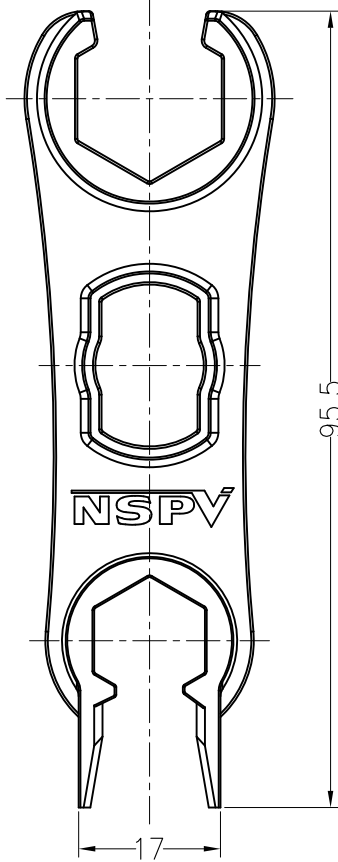
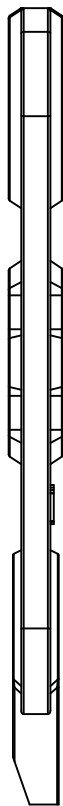
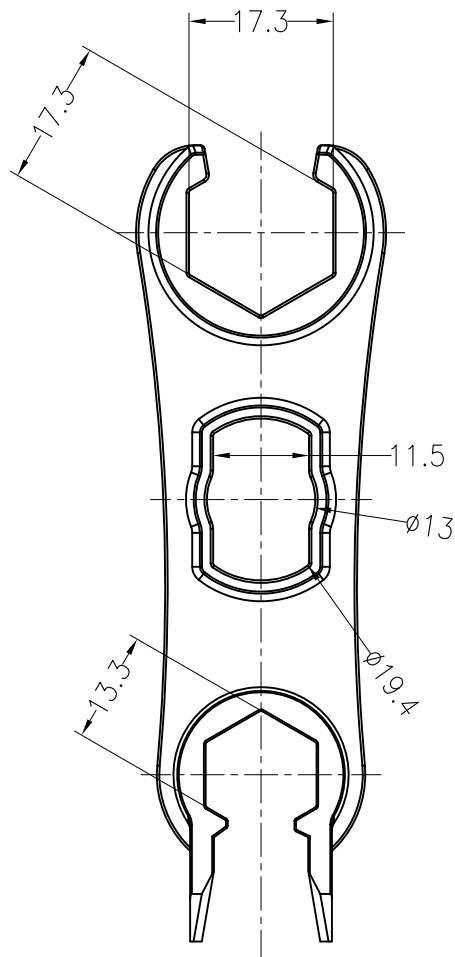
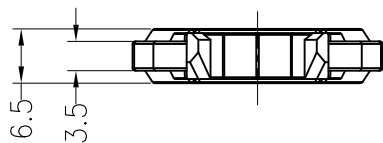


REV	MODIFICATION	DATE	DESIGN	APPROVE



SECTION A-A



TOLERANCES UNLESS OTHERWISE SPECIFIED:

- 0 PLC ± 0.25
- 1 PLC ± 0.13
- 2 PLC ± 0.05

ANGLES

- 0 PLC ± 0.5

MATERIAL:

FINISH:

APVD:

CHK:

DWN:

DRAWING NUMBER:



NAME: Tool 1

PRODUCT NUMBER:

Units: mm	Size: A4	SCALE: 1	SHEET BLATT: 1 OF 1	REV: A
-----------	----------	----------	---------------------	--------