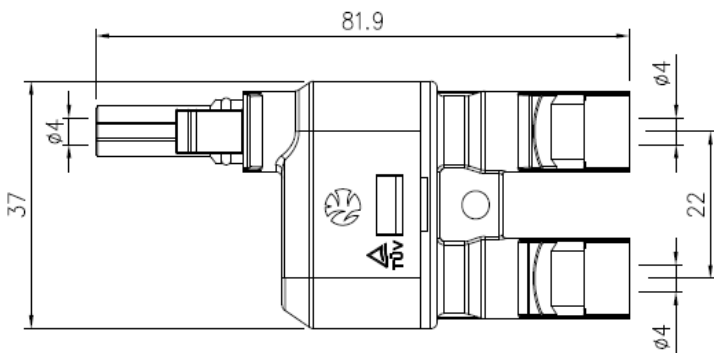


光伏4.0 2转1转接头

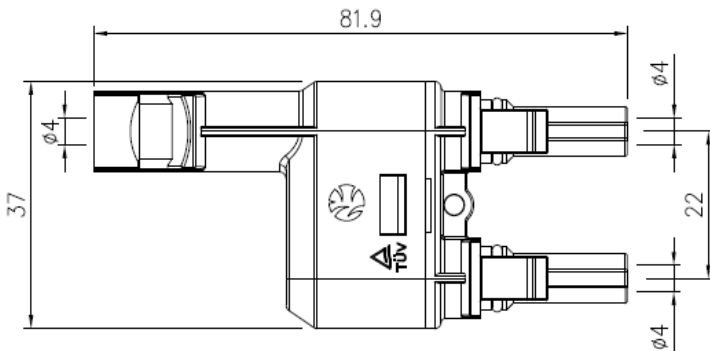
PV4.0 2 to 1 Branch Connector

产品规格 Product Specifications			
绝缘材料 Insulation material	PPE	过压等级 Overvoltage category/Pollution degree	CATIII/2
额定电流 Rated current	30A	安全等级 Safety degree	II
额定电压 Rated voltage	1000V (IEC)/600V (UL)	阻燃等级 Flame class	UL94-V0
测试电压 Test voltage	6kV(50Hz,1min)	插入力/拔出力 Insertion force/Withdrawal force	≤50N / ≥50N
连接器接触电阻 Typical contact resistance	<0.5 mΩ	环境温度范围 Ambient temperature range	-40°C...+90°C(IEC)
金属导体材料 Contact material	铜, 镀锡 Copper, Tin plated	温度上限 Upper limiting temperature	110°C(IEC)
保护等级 Degree of protection	IP2X/IP67		

图示:
Drawing:



2公转1母 2 Male to 1 Female	4B0000-001
-----------------------------	------------



2母转1公 2 Female to 1 Male	4B0001-001
-----------------------------	------------

