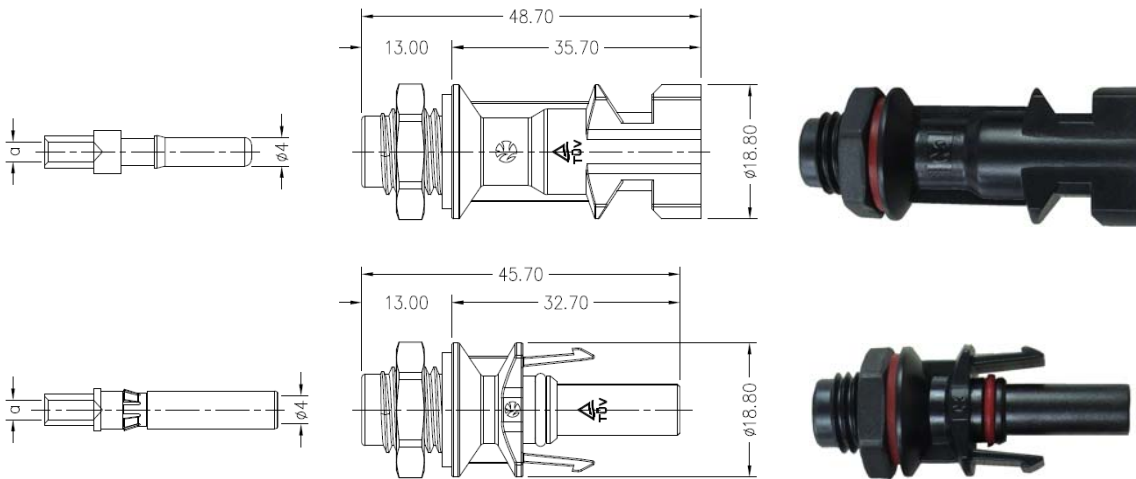


光伏4.0面板连接器

PV4.0 Panel Connector

产品规格
Product Specifications

绝缘材料 Insulation material	PPE	安全等级 Safety degree	II
额定电流 Rated current	30A	阻燃等级 Flame class	UL94-V0
额定电压 Rated voltage	1000V (IEC)/600V (UL)	插入力/拔出力 Insertion force/Withdrawal force	≤50N / ≥50N
测试电压 Test voltage	6kV(50Hz, Imin)	环境温度范围 Ambient temperature range	-40°C...+90°C(IEC)
连接器接触电阻 Typical contact resistance	<0.5 mΩ	适配电线规格 Suitable cable cross sections	2.5~6mm ² /4~10AWG
金属导体材料 Contact material	铜, 镀锡 Copper, Tin plated	连接方式 Connecting system	压接 Crimp connection
保护等级 Degree of protection	IP2X/IP67	螺帽锁紧力 Nut cap locking force	2.0~2.5Nm
过压等级 Overvoltage category/Pollution degree	CATIII/2	温度上限 Upper limiting temperature	110°C(IEC)

图示:
Drawing:


公连接器
Male Connector

母连接器
Female Connector

4.0面板母连接器
4.0 Panel Female Connector
4.0面板公连接器
4.0 Panel Male Connector

料号 Part No.	a	适配电线规格 Cable Size	料号 Part No.	a	适配电线规格 Cable Size
4P2500-002	Φ2.1	2.5mm ² / 14AWG	4P2501-002	Φ2.1	2.5mm ² / 14AWG
4P4000-002	Φ2.8	4.0mm ² &/12AWG	4P4001-002	Φ2.8	4.0mm ² &/12AWG
4P6000-002	Φ3.4	6.0mm ² &10AWG	4P6001-002	Φ3.4	6.0mm ² &10AWG

面板孔位尺寸
Panel Hole Size
