



201811ED1.0



Model	Power (kW)	Voltage (V)	Current (A)	Dimensions (H1*W*D1mm)	Installation Dimensions (A*B*dmm)	N.W (KG)			
* PI500A-S 0R4G1	0.4	1-phase AC 220V±10% DC200~440V	5.4	185/90/154	65/174/Ø5	1.6			
* PI500A-S 0R7G1	0.75		8.2						
* PI500A-S 1R5G1	1.5		14	185/90/174	65/174/Ø5	1.8			
* PI500A-S 2R2G1	2.2		23						
* PI500A-S 004G1	4		35	260/120/190	90/250/Ø5	2.7			
* PI500A-S 0R4G2	0.4	3-phase AC 220V±10% DC200~440V	4.1	185/90/154	65/174/Ø5	1.6			
* PI500A-S 0R7G2	0.75		5.3						
* PI500A-S 1R5G2	1.5		8	185/90/174	65/174/Ø5	1.8			
* PI500A-S 2R2G2	2.2		11.8						
* PI500A-S 004G2	4		18.1	260/120/190	90/250/Ø5	2.7			
* PI500A-S 5R5G2	5.5	28	3-phase AC 380V±10% DC350~780V	185/90/174	65/174/Ø5	1.8			
* PI500A-S 0R7G3	0.75	4.3					185/90/154	65/174/Ø5	1.6
* PI500A-S 1R5G3	1.5	5							
* PI500A-S 2R2G3	2.2	5.8					260/120/190	90/250/Ø5	2.7
* PI500A-S 004G3	4	10.5							
* PI500A-S 5R5G3	5.5	14.6	1-phase AC 220V±10% DC200~440V	185/90/174	65/174/Ø5	1.8			
* PI500A-S 7R5G3	7.5	20.4					260/120/190	90/250/Ø5	2.7
* PI500A-S 011G3	11	26							
PI500-S 5R5G1	5.5	25					350/210/198	150/335/Ø6	9.5
PI500-S 7R5G1	7.5	32							
PI500-S 011RG1	11	45	520/300/283	220/500/Ø10	41.2				
PI500-S 015RG1	15	60				575/355/328	250/555/Ø10	58	
PI500-S 018RG1	18.5	75	300/190/198	140/285/Ø6	7.2				
PI500-S 022RG1	22	90				350/210/198	150/335/Ø6	9.5	
PI500-S 030RG1	30	110	400/240/223	180/335/Ø7	13				
PI500-S 037RG1	37	152				520/300/283	220/500/Ø10	41.2	
PI500-S 045RG1	45	176	575/355/328	250/555/Ø10	58				
PI500-S 055RG1	55	210				300/190/198	140/285/Ø6	7.2	
PI500-S 5R5G2	5.5	25	350/210/198	150/335/Ø6	9.5				
PI500-S 7R5G2	7.5	32				400/240/223	180/335/Ø7	13	
PI500-S 011G2	11	45	520/300/283	220/500/Ø10	41.2				
PI500-S 015G2	15	60				575/355/328	250/555/Ø10	58	
PI500-S 018G2	18.5	75	720/400/368	300/700/Ø10	72.5				
PI500-S 022G2	22	90				820/480/398	370/800/Ø11	108	
PI500-S 030G2	30	110	980/705/418	550/945/Ø13	190				
PI500-S 037G2	37	152				300/190/198	140/285/Ø6	7.2	
PI500-S 045G2	45	176	350/210/198	150/335/Ø6	9.5				
PI500-S 055G2	55	210				400/240/223	180/335/Ø7	13	
PI500-S 075G2	75	307	520/300/283	220/500/Ø10	41.2				
PI500-S 093G2	93	380				575/355/328	250/555/Ø10	58	
PI500-S 110G2	110	426	720/400/368	300/700/Ø10	72.5				
PI500-S 132G2	132	465				820/480/398	370/800/Ø11	108	
PI500-S 160G2	160	520	980/705/418	550/945/Ø13	190				
PI500-S 7R5G3BM	7.5	17				300/190/198	140/285/Ø6	7.2	
PI500-S 011G3	11	25	350/210/198	150/335/Ø6	9.5				
PI500-S 015G3	15	32				400/240/223	180/335/Ø7	13	
PI500-S 018G3	18	37	520/300/283	220/500/Ø10	41.2				
PI500-S 022G3	22	45				575/355/328	250/555/Ø10	58	
PI500-S 030G3	30	60	720/400/368	300/700/Ø10	72.5				
PI500-S 037G3	37	75				820/480/398	370/800/Ø11	108	
PI500-S 045G3	45	90	980/705/418	550/945/Ø13	190				
PI500-S 055G3	55	110				300/190/198	140/285/Ø6	7.2	
PI500-S 075G3	75	150	350/210/198	150/335/Ø6	9.5				
PI500-S 093G3	93	176				400/240/223	180/335/Ø7	13	
PI500-S 110G3	110	210	520/300/283	220/500/Ø10	41.2				
PI500-S 132G3	132	253				575/355/328	250/555/Ø10	58	
PI500-S 160G3	160	304	720/400/368	300/700/Ø10	72.5				
PI500-S 187G3	187	340				820/480/398	370/800/Ø11	108	
PI500-S 200G3	200	380	980/705/418	550/945/Ø13	190				
PI500-S 220G3	220	426				300/190/198	140/285/Ø6	7.2	
PI500-S 250G3	250	465	350/210/198	150/335/Ø6	9.5				
PI500-S 280G3	280	520				400/240/223	180/335/Ø7	13	
PI500-S 315G3	315	585	520/300/283	220/500/Ø10	41.2				
PI500-S 355G3	355	650				575/355/328	250/555/Ø10	58	
PI500-S 400G3	400	725	720/400/368	300/700/Ø10	72.5				
						820/480/398	370/800/Ø11	108	
			980/705/418	550/945/Ø13	190				
						300/190/198	140/285/Ø6	7.2	
			350/210/198	150/335/Ø6	9.5				
						400/240/223	180/335/Ø7	13	
			520/300/283	220/500/Ø10	41.2				
						575/355/328	250/555/Ø10	58	
			720/400/368	300/700/Ø10	72.5				
						820/480/398	370/800/Ø11	108	
			980/705/418	550/945/Ø13	190				
						300/190/198	140/285/Ø6	7.2	
			350/210/198	150/335/Ø6	9.5				
						400/240/223	180/335/Ø7	13	
			520/300/283	220/500/Ø10	41.2				
						575/355/328	250/555/Ø10	58	
			720/400/368	300/700/Ø10	72.5				
						820/480/398	370/800/Ø11	108	
			980/705/418	550/945/Ø13	190				



Hotline:0086-755-29630738

www.powtran.com



Brief introduction:

PI500-S series solar inverter special for PV water pump adopts the high accuracy fast MPPT algorithms, tracking the PV array output by the maximum power point, driving the pump motor as much as possible to meet various pumping applications. The solar inverter special for PV water pump can support AC input besides support PV array DC input. When the PV array can not drive the motor or does not have output, it can also accept the grid AC input or other AC motor to supply the power to meet various emergency needs.

PI500-S series solar inverter special for PV water pump provides full protection, maximizing the life of motor and pump.

Capacity range:

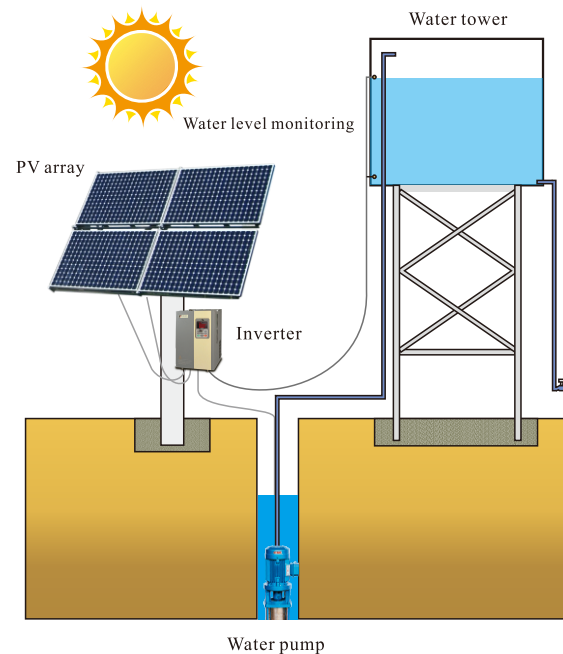
Power range: 0.75~400kW
 Output frequency: 0~400Hz
 Input voltage range:
 1:DC200~440V,1-phase AC220V
 2:DC200~440V,3-phase AC220V
 3:DC350~780V,3-phase AC380V
 4:DC450~890V,3-phase AC480V

Technique Features:

- Built-in high precision PV array maximum power point tracking MPPT algorithms
- Dry running mode monitoring, treatment
- Tank water level control
- Accept DC/AC input
- LED displays the real time situation and the parameter of system
- Based on RS485 real time remote control system
- Fast installation design, no need extra maintenance
- Built-in full protection and diagnostic mechanism.

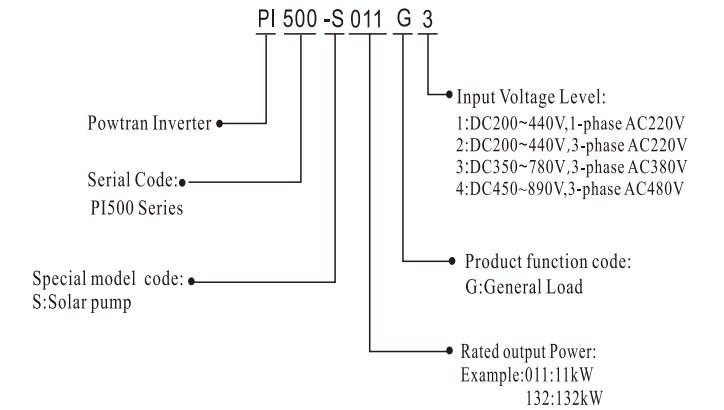
Application filed:

Agriculture irrigation, grassland animal husbandry, forest irrigation, municiple water,landscape fountain, fish pond, highway greening, coastal saltworks water supply and drainage, etc.



Nameplate instruction:

Inverter model	MODEL	PI500-S 011G3
Output Power Spec.	POWER	11kW
Input Power Spec.	INPUT	DC 350~780V/ AC 3PH 380V
Output Spec.	OUTPUT	AC 3PH 0~380V 25A 0~400Hz
Bar code		
Production sequence number	ZPB1A0100001 DALIAN POWTRAN TECHNOLOGY CO.,LTD.	



Recommended solar array configuration:

Inverter Power (kW)	Max.DC input current (A)	Open-circuit voltage degree of solar module									
		20±3V		30±3V		36±3V		42±3V			
		Module Power +/-5Wp	Modules per string x strings	Module Power +/-5Wp	Modules per string x strings	Module Power +/-5Wp	Modules per string x strings	Module Power +/-5Wp	Modules per string x strings	Module Power +/-5Wp	Modules per string x strings
0.75	4.2	30	29*1	-	-	-	-	-	-	-	-
1.5	6.1	60	30*1	--	-	-	-	-	-	-	-
2.2	7.1	90	30*1	-	-	145	18*1	175	15*1	-	-
4	16.5	85	28*2	200	22*1	140	17*2	160	15*2	-	-
5.5	23.9	-	-	-	-	195	17*2	220	15*2	-	-
7.5	30.6	-	-	215	21*2	175	17*3	200	15*3	300	15*2
11	39.2	-	-	200	22*3	195	17*4	220	15*4	-	-
15	49	-	-	205	22*4	200	18*5	240	15*5	300	15*4

*Recommended DC input power is about 1.2~1.5times of motor rated power(for 3 phase,380V inverters)

Technical Specifications:

