



FusionSolar[®]
**Residential & Commercial
Smart PV Solution**

SOLAR.HUAWEI.COM/EU/



About Huawei

Huawei is a leading global provider of information and communications technology (ICT) infrastructure and smart devices. With integrated solutions across four key domains – telecom networks, IT, smart devices, and cloud services – we are committed to bringing digital to every person, home and organization for a fully connected, intelligent world. Huawei's end-to-end portfolio of products, solutions and services are both competitive and secure. Through open collaboration with ecosystem partners, we create lasting value for our customers, working to empower people, enrich home life, and inspire innovation in organizations of all shapes and sizes. At Huawei, innovation focuses on customer needs. We invest heavily in basic research, concentrating on technological breakthroughs that drive the world forward.

Our 2018 sales revenue was US\$105.2 billion, YoY growth of 19.5%.

Employees
180,000+

R&D Personnel
80,000+

Countries
170+

Interbrand's Top 100
Best Global Brands
68

Fortune Global 500
72

Research institutes
/labs/centers
14

1
No.1
In global shipment 2015-2018

90GW+
Accumulated global shipment as of Dec. 2018

Smart Energy Center



reddot award 2016
winner



Higher Revenue

Max. efficiency 98.6%



Simple & Easy

Optimized AC connector



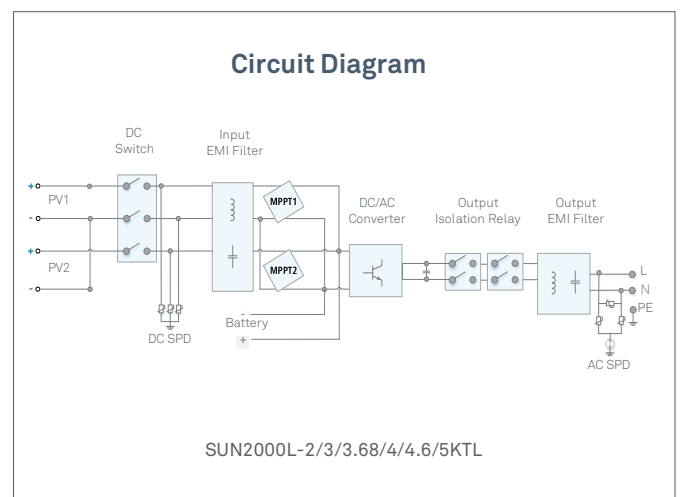
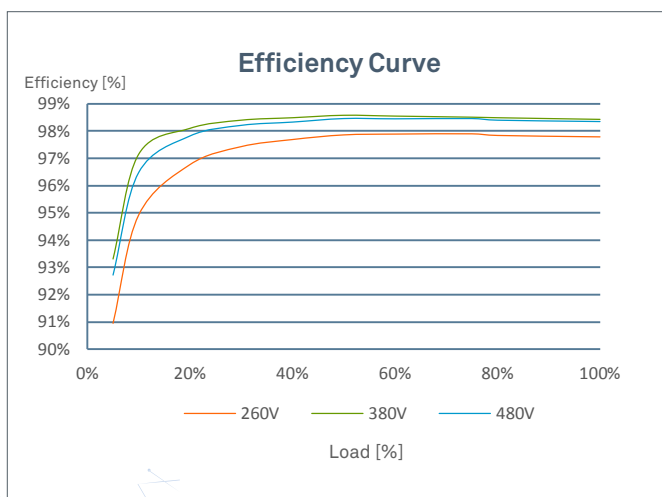
Battery Ready

Plug & Play battery interface



Safe & Reliable

DC & AC lightning protection



SUN2000L-2/3/3.68/4/4.6/5KTL
Technical Specification

Technical Specification	SUN2000L -2KTL	SUN2000L -3KTL	SUN2000L -3.68KTL	SUN2000L -4KTL	SUN2000L -4.6KTL	SUN2000L -5KTL
-------------------------	-------------------	-------------------	----------------------	-------------------	---------------------	-------------------

Efficiency

Max. efficiency	98.4 %	98.5 %	98.5 %	98.6 %	98.6 %	98.6 %
European weighted efficiency	97.0 %	97.6 %	97.8 %	97.9 %	98.0 %	98.0 %

Input

Recommended max. PV power ¹	3,000 Wp	4,500 Wp	5,520 Wp	6,000 Wp	6,900 Wp	7,500 Wp
Max. input voltage	600 V / 495 V ²					
Operating voltage range ²	90 V ~ 600 V / 90 V ~ 495 V ²					
Start-up voltage	120 V					
Full power MPPT voltage range	120 V ~ 480 V	160 V ~ 480 V	190 V ~ 480 V	210 V ~ 480 V	260 V ~ 480 V	260 V ~ 480 V
Rated input voltage	380 V					
Max. input current per MPPT	11 A					
Max. short-circuit current	15 A					
Number of MPP trackers	2					
Max. number of inputs per MPPT	1					

Output

Grid connection	Single phase					
Rated output power	2,000 W	3,000 W	3,680 W	4,000 W	4,600 W	5,000 W ³
Max. apparent power	2,200 VA	3,300 VA	3,680 VA	4,400 VA	5,000 VA ⁴	5,500 VA ⁵
Rated output voltage	220 V / 230 V / 240 V					
Rated AC grid frequency	50 Hz / 60 Hz					
Max. output current	10 A	15 A	16 A	20 A	23 A ⁶	25 A ⁶
Adjustable power factor	0.8 leading ... 0.8 lagging					
Max. total harmonic distortion	≤ 3 %					

Protection

Anti-Islanding protection	Yes
DC reverse polarity protection	Yes
Insulation monitoring	Yes
DC lightning protection	Yes
AC lightning protection	Yes
Residual current monitoring	Yes
AC overcurrent protection	Yes
AC short-circuit protection	Yes
AC overvoltage protection	Yes
Over-heat protection	Yes

General Data

Operating temperature range	-30 ~ +60 °C (Derating above 45°C @ Rated output power)
Relative operating humidity	0 %RH ~ 100 %RH
Operating altitude	0 - 4,000 m (Derating above 2,000 m)
Cooling	Natural convection
Display	LED indicators
Communication	RS485, WLAN
Weight (incl. mounting bracket)	10.6 kg (23.4 lb)
Dimension (incl. mounting bracket)	375 x 375 x 161.5 mm (14.8 x 14.8 x 6.4 inch)
Degree of protection	IP65

Battery Compatibility

Battery	LG Chem RESU 7H_R / 10H_R
Voltage range	350 ~ 450 Vdc
Max. current	10 A
Communication	RS485

Standard Compliance (more available upon request)

Safety	EN/IEC 62109-1, EN/IEC 62109-2
Grid connection standards	G83/2, G59/3, EN 50438, CEI 0-21, VDE-AR-N-4105, AS 4777, C10/11, ABNT, UTE C15-712, RD 1699, NRS 097-2-1, DEWA 2016

*1 Inverter max input PV power is 9,880 Wp when long strings are designed and fully connected with SUN2000-375W-P2 power optimizers.

*2. Only applicable for PV string. The maximum input voltage and operating voltage upper limit will be reduced to 495 V when inverter connects and works with LG battery.

*3. AS4777:4990W. *4. VDE-AR-N 4105:4600VA / AS4777:4990VA. *5. AS4777:4990VA. *6. AS4777:21.7A.