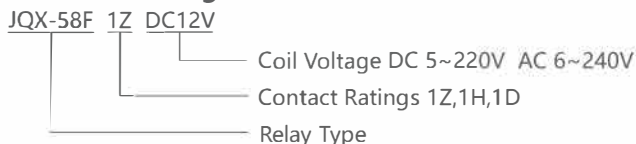


Features

- 60A Contact Change-over Capacity
- Swift Connection
- Fastness of Guide Rail

Model Meaning



JQX-58F

Contact Rating

Contact Rating	1Z,1H,1D
Contact Resistance	100mΩ(1A 6VDC)
Contact material	AgCdO
Contact capacity	60A 250VAC/28VDC

Specification

Insulation Resistance	1000MΩ, 500VDC
Dielectric Strength	BCC 1200V 1min
	BOC 2500V 1min
Operate Time	25ms/25ms
Terminal Type	Screw

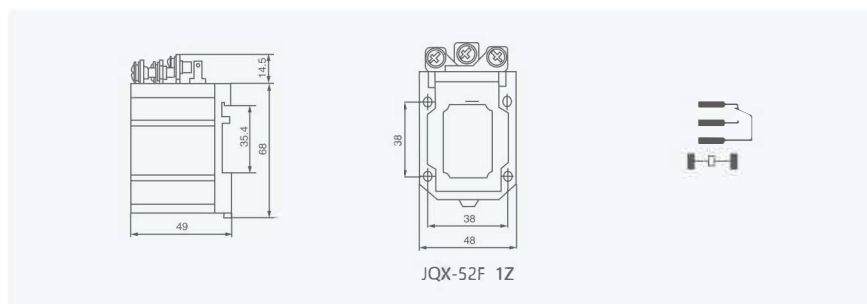
Coil Rating

Nominal Coil Power: DC2.0W AC2.5VA

Coil Versions

Nominal Voltage VDC	Pull-in Voltage VDC	Release Voltage VDC	Coil Resistance Ω:±10%	Nominal Voltage VDC	Pull-in Voltage VDC	Release Voltage VDC	Coil Resistance Ω:±10%
6	4.80	0.60	20	6	4.80	1.80	14.4
12	9.60	1.20	45	12	9.60	3.60	57
24	19.2	2.40	320	24	19.20	7.20	250
48	38.4	4.80	1280	48	38.40	14.4	921
60	48.0	6.00	2800	110	88.00	36.0	5000
110	88.0	11.0	9650	220/240	176.00	72.0	19600/25040

Dimension



Reference Data

